

## Series CERAM™, size 3



AVENTICS™ Series CERAM™, size 3



# 5/2-directional valve, Series CERAM™, size 3

- 5/2
- Qn = 4300 l/min
- Pilot valve width : 30 mm CNOMO
- Plate connection
- Electrical connection : Plug, EN 175301-803, form A
- Can be assembled into blocks
- Manual override : with detent, without detent
- single solenoid
- Pilot : Internal External



Activation	Electrically
Sealing principle	Ceramic
Blocking principle	Single base plate principle
Standards	ISO 5599-1, ISO 3
Working pressure min./max.	2 ... 10.3 bar
Control pressure min./max.	See table below
Ambient temperature min./max.	-15 ... 66 °C
Medium temperature min./max.	-15 ... 66 °C
Medium	Compressed air
Nominal flow Qn	4300 l/min
Compressed air connection	according to ISO 5599-1
Protection class according to NEMA	NEMA 4
Weight	1.19 kg



Part No.	Valve plug connector	basic valve with electrical connector
R432002454	Without valve plug connector	Basic valve without pilot valve
R432002457	Without valve plug connector	Basic valve without coil

Part No.	Mounting screw
R432006242	M8 with hexagon socket
R432006243	M8 with hexagon socket
R432030344	M8 with hexagon socket
R432006238	M8 with hexagon socket
R432006240	M8 with hexagon socket
R432002454	M5 with hexagon socket
R432002457	M8 with hexagon socket

Nominal flow  $Q_n$  at 6 bar and  $\Delta p = 1$  bar

MO = Manual override

## Technical information

The min. control pressure must be adhered to, since otherwise faulty switching and valve failure may result!

The pressure dew point must be at least 15 °C under ambient and medium temperature and may not exceed 3 °C .

The oil content of compressed air must remain constant during the life cycle.

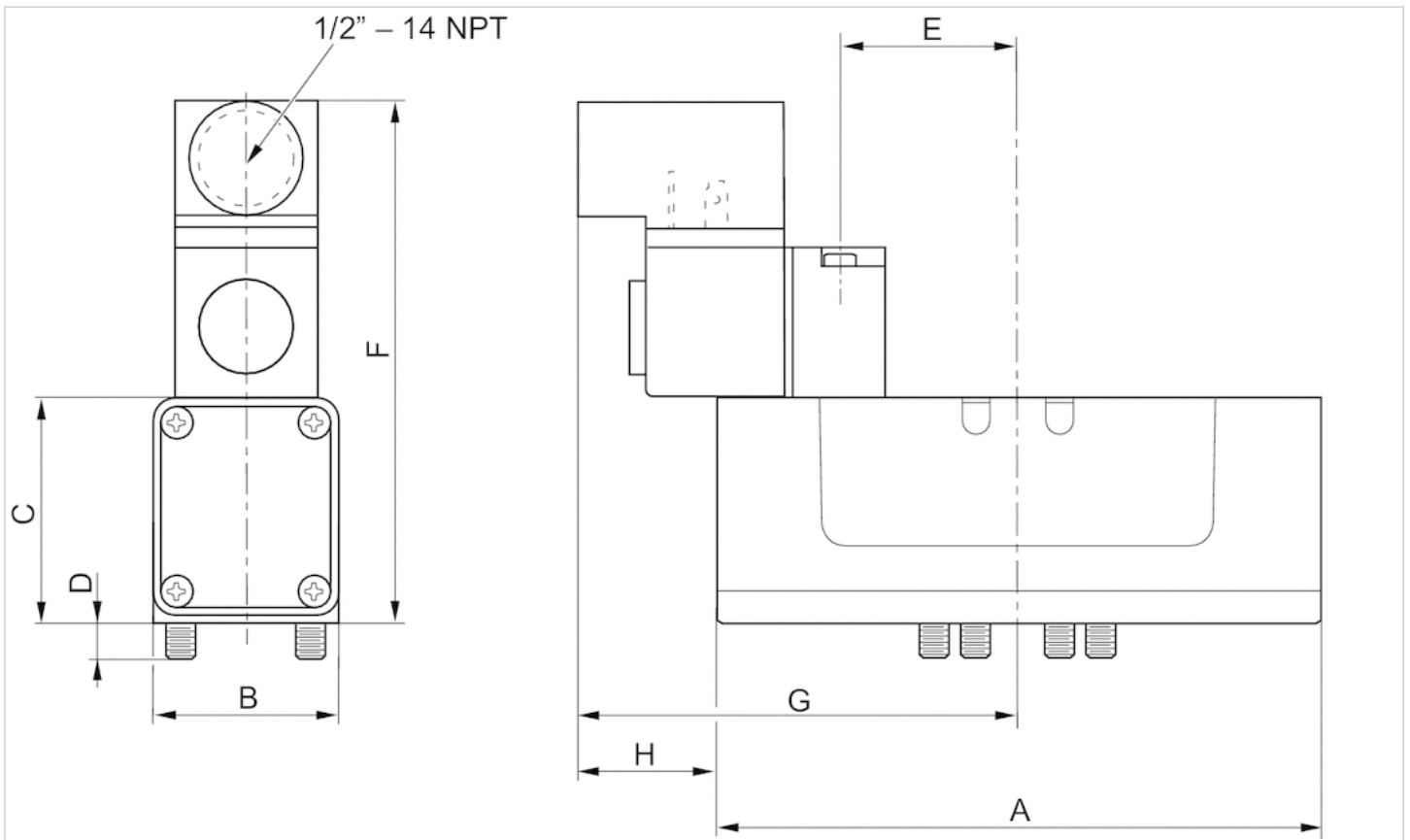
Use only the approved oils from AVENTICS. Further information can be found in the "Technical information" document (available in the MediaCentre).

## Technical information

Material	
Housing	Die-cast aluminum, painted gray

## Dimensions

### Dimensions in inches



### Dimensions in inches

Part No.	A	B	C	D	E	F	G	H
R432006242	7.54	2.71	2.59	0.41	1.62	5.23	4.18	1.05
R432006243	7.54	2.71	2.59	0.41	1.62	5.23	4.18	1.05
R432030344	7.54	2.71	2.59	0.41	1.62	5.23	4.18	1.05
R432006238	7.54	2.71	2.59	0.41	1.62	5.23	4.18	1.05
R432006240	7.54	2.71	2.59	0.41	1.62	5.23	4.18	1.05
-	-	-	-	-	-	-	-	-
R432002457	7.54	2.71	2.59	0.41	1.62	5.23	4.18	1.05








# 5/2-directional valve, Series CERAM™, size 3

- 5/2
- Qn = 4300 l/min
- Pilot valve width : 30 mm CNOMO
- Plate connection
- Electrical connection : Plug, EN 175301-803, form A
- Can be assembled into blocks
- Manual override : with detent, without detent
- single solenoid
- With air spring return
- Pilot : Internal External



Activation	Electrically
Sealing principle	Ceramic
Blocking principle	Single base plate principle
Standards	ISO 5599-1, ISO 3
Working pressure min./max.	See table below
Control pressure min./max.	See table below
Ambient temperature min./max.	See table below
Medium temperature min./max.	See table below
Medium	Compressed air
Nominal flow Qn	4300 l/min
Compressed air connection	according to ISO 5599-1
Protection class according to NEMA	NEMA 4
Weight	1.97 kg

## Technical data

Part No.		MO	Compressed air connection	Operational voltage
			Pilot Exhaust	DC
R432030345		TR-TR-TR-TR-TR-TR-TR-TR	Base plate ISO 5599-1	12 V
R432006244			Base plate ISO 5599-1	24 V
R432030343			Base plate ISO 5599-1	-
R432006239			Base plate ISO 5599-1	-
R432006241			Base plate ISO 5599-1	-
R432002455			Base plate ISO 5599-1	-
R432002458			Base plate ISO 5599-1	-

Part No.	Operational voltage	Operational voltage	Voltage tolerance
	AC 50 Hz	AC 60 Hz	DC
R432030345	-	-	-10% / +10%
R432006244	-	-	-10% / +10%
R432030343	24 V	24 V	-
R432006239	110 V	120 V	-
R432006241	220 V	240 V	-
R432002455	-	-	-
R432002458	-	-	-

Part No.	Voltage tolerance	Voltage tolerance	Power consumption	Holding power
	AC 50 Hz	AC 60 Hz	DC	AC 50 Hz
R432030345	-	-	2.7 W	-
R432006244	-	-	2.7 W	-
R432030343	-10% / +10%	-10% / +10%	-	3.7 VA
R432006239	-10% / +10%	-10% / +10%	-	3.7 VA
R432006241	-10% / +10%	-10% / +10%	-	3.7 VA
R432002455	-	-	-	-
R432002458	-	-	-	-

Part No.	Holding power	Switch-on power	Switch-on power	Pilot	Working pressure min./max.
	AC 60 Hz	AC 50 Hz	AC 60 Hz		
R432030345	-	-	-	Internal	0 ... 10.3 bar
R432006244	-	-	-	Internal	0 ... 10.3 bar
R432030343	3.7 VA	6.4 VA	6.4 VA	Internal	0 ... 10.3 bar
R432006239	3.7 VA	6.4 VA	6.4 VA	Internal	0 ... 10.3 bar
R432006241	3.7 VA	6.4 VA	6.4 VA	Internal	0 ... 10.3 bar
R432002455	-	-	-	External	-0.95 ... 10.3 bar
R432002458	-	-	-	Internal	0 ... 10.3 bar

Part No.	Control pressure min./max.	Ambient temperature min./max.	Medium temperature min./max.
R432030345	2.5 ... 10.3 bar	-16 ... 66 °C	-16 ... 66 °C
R432006244	2.5 ... 10.3 bar	-16 ... 66 °C	-16 ... 66 °C
R432030343	2.5 ... 10.3 bar	-16 ... 66 °C	-16 ... 66 °C
R432006239	2.5 ... 10.3 bar	-16 ... 66 °C	-16 ... 66 °C
R432006241	2.5 ... 10.3 bar	-16 ... 66 °C	-16 ... 66 °C

Part No.	Control pressure min./max.	Ambient temperature min./max.	Medium temperature min./max.
R432002455	-0.8 ... 10.3 bar	-15 ... 66 °C	-15 ... 66 °C
R432002458	2.5 ... 10.3 bar	-16 ... 66 °C	-16 ... 66 °C

Part No.	Valve plug connector	basic valve with electrical connector
R432030345	Without valve plug connector	-
R432006244	Without valve plug connector	-
R432030343	Without valve plug connector	-
R432006239	Without valve plug connector	-
R432006241	Without valve plug connector	-
R432002455	Without valve plug connector	Basic valve without coil
R432002458	Without valve plug connector	Basic valve without coil

Part No.	Mounting screw
R432030345	M8 with hexagon socket
R432006244	M8 with hexagon socket
R432030343	M8 with hexagon socket
R432006239	M8 with hexagon socket
R432006241	M8 with hexagon socket
R432002455	M5 with hexagon socket
R432002458	M8 with hexagon socket

Nominal flow  $Q_n$  at 6 bar and  $\Delta p = 1$  bar

MO = Manual override

## Technical information

The min. control pressure must be adhered to, since otherwise faulty switching and valve failure may result!

The pressure dew point must be at least 15 °C under ambient and medium temperature and may not exceed 3 °C .

The oil content of compressed air must remain constant during the life cycle.

Use only the approved oils from AVENTICS. Further information can be found in the "Technical information" document (available in the MediaCentre).

## Technical information

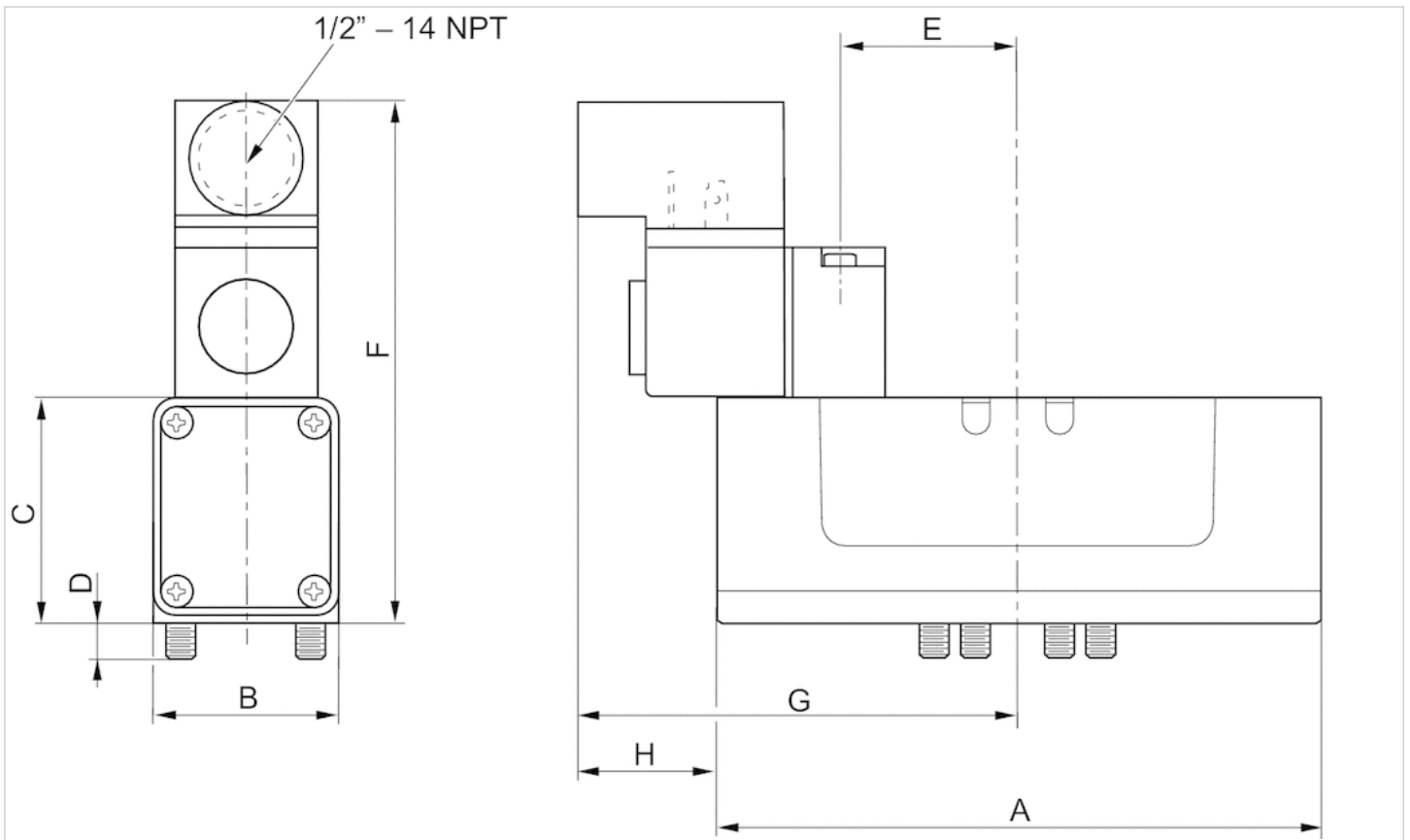
### Material

Housing	Die cast zinc, painted gray Die-cast aluminum, painted gray
---------	---



## Dimensions

### Dimensions in inches

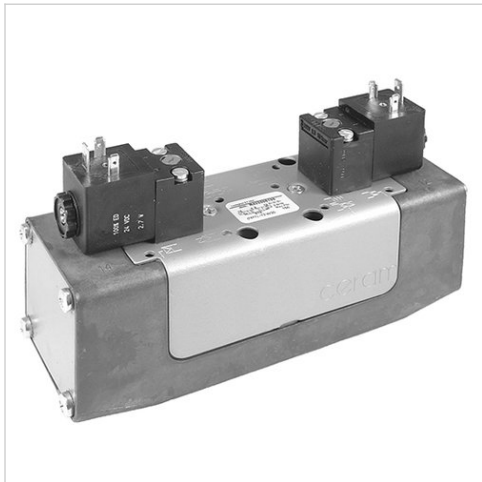


### Dimensions in inches

Part No.	A	B	C	D	E	F	G	H
R432030345	7.54	2.71	2.59	0.41	1.62	5.23	4.18	1.05
R432006244	7.54	2.71	2.59	0.41	1.62	5.23	4.18	1.05
R432030343	7.54	2.71	2.59	0.41	1.62	5.23	4.18	1.05
R432006239	7.54	2.71	2.59	0.41	1.62	5.23	4.18	1.05
R432006241	7.54	2.71	2.59	0.41	1.62	5.23	4.18	1.05
-	-	-	-	-	-	-	-	-
R432002458	7.54	2.71	2.59	0.41	1.62	5.23	4.18	1.05

# 5/2-directional valve, Series CERAM™, size 3

- 5/2
- Qn = 4300 l/min
- Pilot valve width : 30 mm CNOMO
- Plate connection
- Electrical connection : Plug, EN 175301-803, form A
- Can be assembled into blocks
- Manual override : with detent, without detent
- double solenoid single solenoid
- Pilot : Internal External



Activation	Electrically
Sealing principle	Ceramic
Blocking principle	Single base plate principle
Standards	ISO 5599-1, ISO 3
Working pressure min./max.	0 ... 10.3 bar
Control pressure min./max.	See table below
Ambient temperature min./max.	-15 ... 66 °C
Medium temperature min./max.	-15 ... 66 °C
Medium	Compressed air
Nominal flow Qn	4300 l/min
Compressed air connection	according to ISO 5599-1
Protection class according to NEMA	NEMA 4
Weight	See table below



Part No.	Typ. switch-on time	Typ. switch-off time	Valve plug connector
R432002456	-	-	Without valve plug connector
R432002459	-	-	Without valve plug connector

Part No.	basic valve with electrical connector	Mounting screw	Weight
R432006267	-	M8 with hexagon socket	2.26 kg
R432030342	-	M8 with hexagon socket	2.26 kg
R432030341	-	M8 with hexagon socket	2.26 kg
R432006265	-	M8 with hexagon socket	2.26 kg
R432006266	-	M8 with hexagon socket	2.26 kg
R432002456	Basic valve without coil	M5 with hexagon socket	1.87 kg
R432002459	Basic valve without coil	M8 with hexagon socket	1.87 kg

Nominal flow  $Q_n$  at 6 bar and  $\Delta p = 1$  bar

MO = Manual override

## Technical information

The min. control pressure must be adhered to, since otherwise faulty switching and valve failure may result!

The pressure dew point must be at least 15 °C under ambient and medium temperature and may not exceed 3 °C .

The oil content of compressed air must remain constant during the life cycle.

Use only the approved oils from AVENTICS. Further information can be found in the "Technical information" document (available in the MediaCentre).

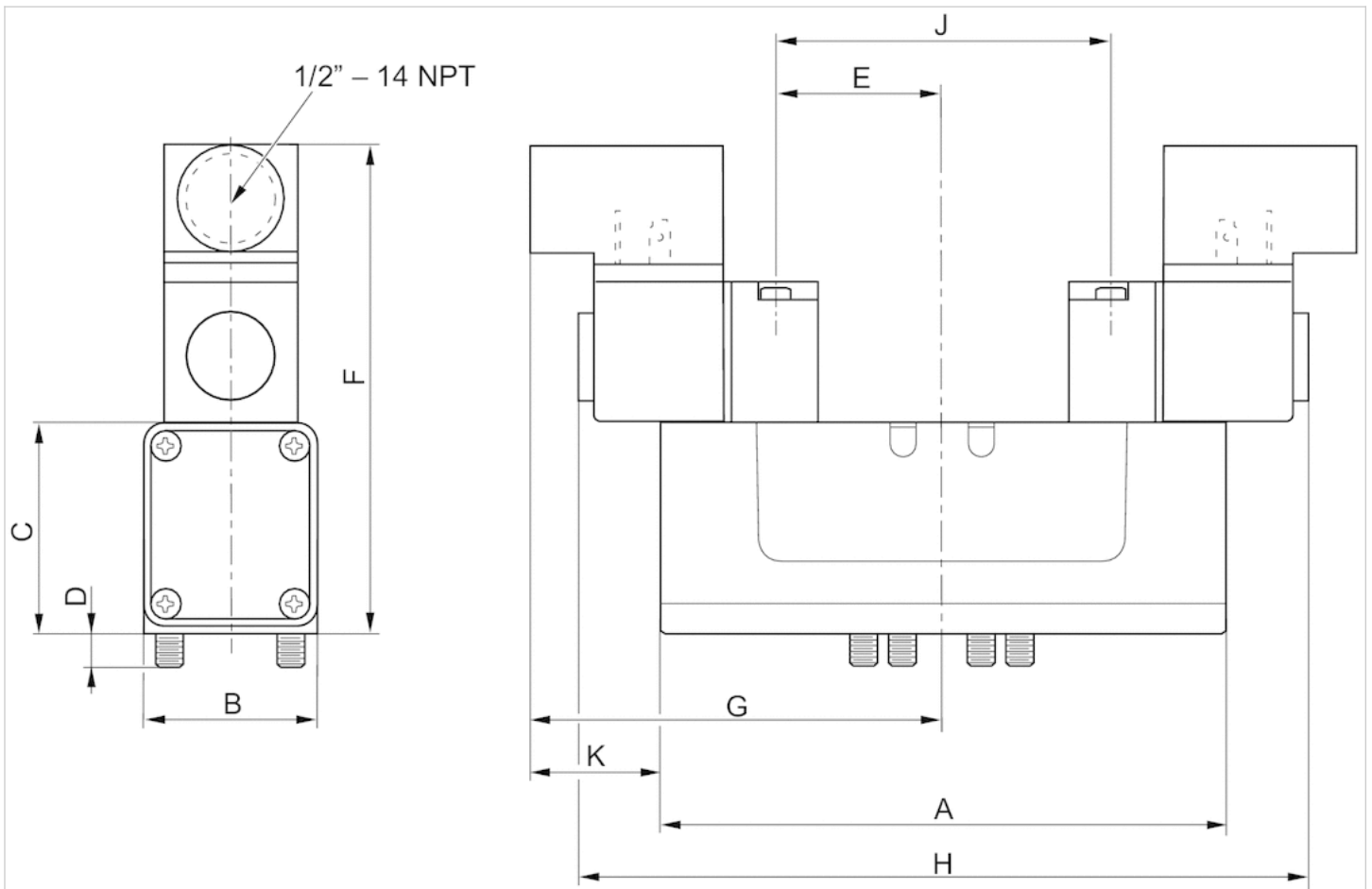
## Technical information

### Material

Housing	Die-cast aluminum, painted gray
---------	---------------------------------

## Dimensions

### Dimensions in inches

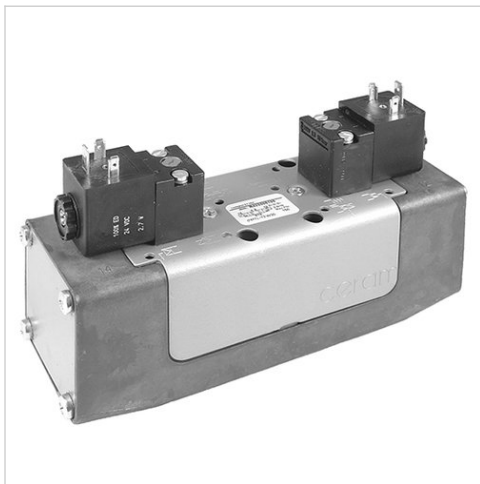


### Dimensions in inches

Part No.	A	B	C	D	E	F	G	H	J	K
R432006267	7.54	2.71	2.59	0.41	1.62	5.23	4.18	8.36	3.25	1.05
R432030342	7.54	2.71	2.59	0.41	1.62	5.23	4.18	8.36	3.25	1.05
R432030341	7.54	2.71	2.59	0.41	1.62	5.23	4.18	8.36	3.25	1.05
R432006265	7.54	2.71	2.59	0.41	1.62	5.23	4.18	8.36	3.25	1.05
R432006266	7.54	2.71	2.59	0.41	1.62	5.23	4.18	8.36	3.25	1.05
-	-	-	-	-	-	-	-	-	-	-
R432002459	7.54	2.71	2.59	0.41	1.62	5.23	4.18	8.36	3.25	1.05



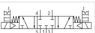
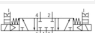

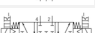
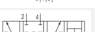
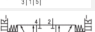
# 5/3-directional valve, Series CERAM™, size 3

- 5/3
- $Q_n = 4300$  l/min
- Pilot valve width : 30 mm CNOMO
- closed center
- Plate connection
- Electrical connection : Plug, EN 175301-803, form A
- Can be assembled into blocks
- Manual override : with detent, without detent
- double solenoid single solenoid
- Pilot : Internal External



Activation	Electrically
Sealing principle	Ceramic
Blocking principle	Single base plate principle
Standards	ISO 5599-1, ISO 3
Working pressure min./max.	See table below
Control pressure min./max.	See table below
Ambient temperature min./max.	-15 ... 66 °C
Medium temperature min./max.	-15 ... 66 °C
Medium	Compressed air
Nominal flow $Q_n$	4300 l/min
Compressed air connection	according to ISO 5599-1
Protection class according to NEMA	NEMA 4
Weight	See table below

## Technical data

Part No.		MO	Compressed air connection	
				Pilot Exhaust
R432006198		TT R-TR-TR-TR-TR-TR-TR-TR-	closed center	Base plate ISO 5599-1
R432006199			closed center	Base plate ISO 5599-1
R432030346			closed center	Base plate ISO 5599-1
R432006196			closed center	Base plate ISO 5599-1
R432006197			closed center	Base plate ISO 5599-1
R432002451			closed center	Base plate ISO 5599-1
R432002453			closed center	Base plate ISO 5599-1

Part No.	Operational voltage	Operational voltage	Operational voltage
	DC	AC 50 Hz	AC 60 Hz
R432006198	12 V	-	-
R432006199	24 V	-	-
R432030346	-	24 V	24 V
R432006196	-	110 V	120 V
R432006197	-	220 V	240 V
R432002451	-	-	-
R432002453	-	-	-

Part No.	Voltage tolerance	Voltage tolerance	Voltage tolerance	Power consumption
	DC	AC 50 Hz	AC 60 Hz	DC
R432006198	-10% / +10%	-	-	2.7 W
R432006199	-10% / +10%	-	-	2.7 W
R432030346	-	-10% / +10%	-10% / +10%	-
R432006196	-	-10% / +10%	-10% / +10%	-
R432006197	-	-10% / +10%	-10% / +10%	-
R432002451	-	-	-	-
R432002453	-	-	-	-

Part No.	Holding power	Holding power	Switch-on power	Switch-on power	Pilot
	AC 50 Hz	AC 60 Hz	AC 50 Hz	AC 60 Hz	
R432006198	-	-	-	-	Internal
R432006199	-	-	-	-	Internal
R432030346	3.7 VA	3.7 VA	6.4 VA	6.4 VA	Internal
R432006196	3.7 VA	3.7 VA	6.4 VA	6.4 VA	Internal
R432006197	3.7 VA	3.7 VA	6.4 VA	6.4 VA	Internal
R432002451	-	-	-	-	External
R432002453	-	-	-	-	Internal

Part No.	Working pressure min./max.	Control pressure min./max.	Valve plug connector
R432006198	2 ... 10.3 bar	2.5 ... 10.3 bar	Without valve plug connector
R432006199	0 ... 10.3 bar	2.5 ... 10.3 bar	Without valve plug connector
R432030346	0 ... 10.3 bar	2.5 ... 10.3 bar	Without valve plug connector
R432006196	0 ... 10.3 bar	2.5 ... 10.3 bar	Without valve plug connector
R432006197	0 ... 10.3 bar	2.5 ... 10.3 bar	Without valve plug connector
R432002451	0 ... 10.3 bar	-0.8 ... 10.3 bar	Without valve plug connector

Part No.	Working pressure min./max.	Control pressure min./max.	Valve plug connector
R432002453	0 ... 10.3 bar	2.5 ... 10.3 bar	Without valve plug connector

Part No.	basic valve with electrical connector	Mounting screw	Weight
R432006198	-	M8 with hexagon socket	2.26 kg
R432006199	-	M8 with hexagon socket	2.26 kg
R432030346	-	M8 with hexagon socket	2.26 kg
R432006196	-	M8 with hexagon socket	2.26 kg
R432006197	-	M8 with hexagon socket	2.26 kg
R432002451	Basic valve without coil	M5 with hexagon socket	2.01 kg
R432002453	Basic valve without coil	M8 with hexagon socket	2.01 kg

Nominal flow  $Q_n$  at 6 bar and  $\Delta p = 1$  bar

MO = Manual override

## Technical information

The min. control pressure must be adhered to, since otherwise faulty switching and valve failure may result!

The pressure dew point must be at least 15 °C under ambient and medium temperature and may not exceed 3 °C .

The oil content of compressed air must remain constant during the life cycle.

Use only the approved oils from AVENTICS. Further information can be found in the "Technical information" document (available in the MediaCentre).

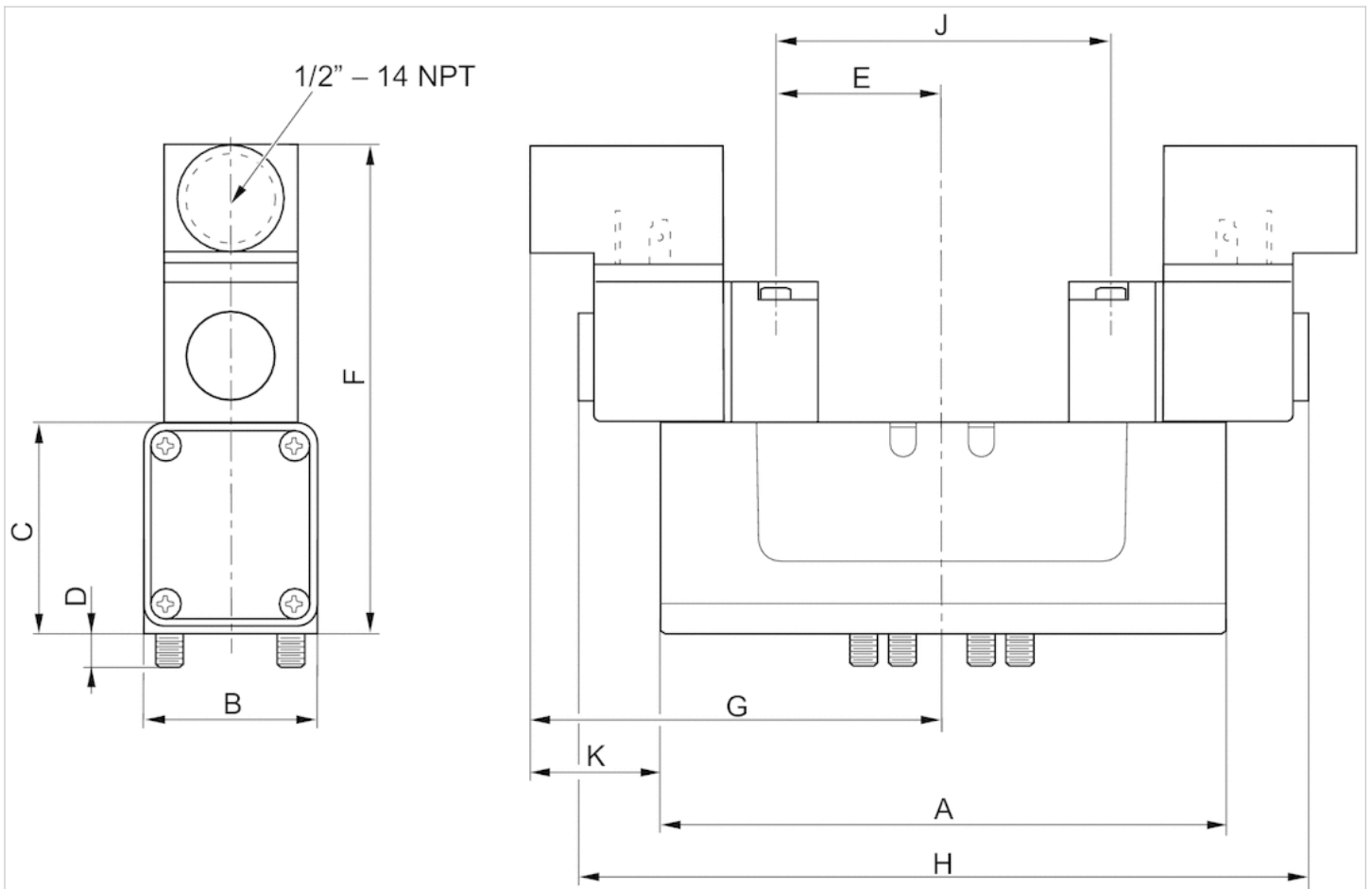
## Technical information

Material	
Housing	Die-cast aluminum, painted gray



## Dimensions

### Dimensions in inches



### Dimensions in inches

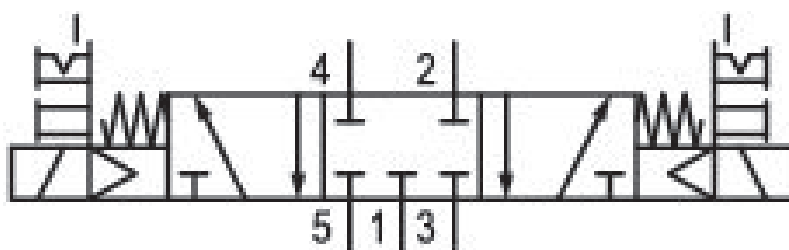
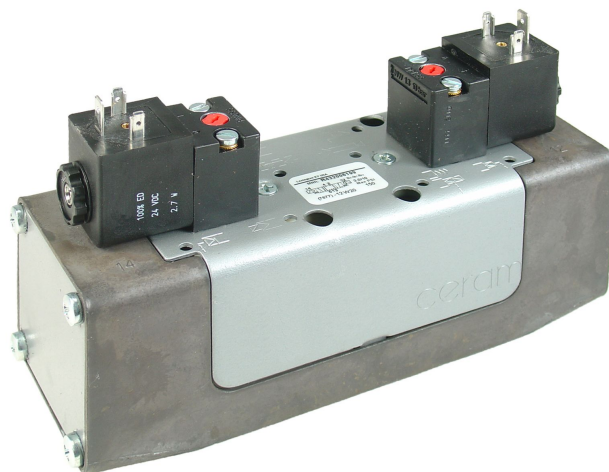
Part No.	A	B	C	D	E	F	G	H	J	K
R432006198	7.54	2.71	2.59	0.41	1.62	5.23	4.18	8.36	3.25	1.05
R432006199	7.54	2.71	2.59	0.41	1.62	5.23	4.18	8.36	3.25	1.05
R432030346	7.54	2.71	2.59	0.41	1.62	5.23	4.18	8.36	3.25	1.05
R432006196	7.54	2.71	2.59	0.41	1.62	5.23	4.18	8.36	3.25	1.05
R432006197	7.54	2.71	2.59	0.41	1.62	5.23	4.18	8.36	3.25	1.05
-	-	-	-	-	-	-	-	-	-	-
R432002453	7.54	2.71	2.59	0.41	1.62	5.23	4.18	8.36	3.25	1.05

# 5/3-directional valve, Series CERAM™, size 3

R432006186

Series CERAM™, size 3

■ Qn max. [[4300] l/min]



## Technical data

Industry  
Industrial

Activation  
Electrically

Nominal flow Qn  
4300 l/min

Switching principle  
5/3

Version  
Exhausted Center

Working pressure min.  
0 bar

Working pressure max  
10.3 bar

DC operating voltage  
12 V

Voltage tolerance DC  
-10% / +10%

Manual override  
with detent  
without detent

Electrical connection type  
Plug

Electrical connection size  
EN 175301-803, form A

Actuating control  
Double Solenoid  
Sealing principle  
Ceramic

Pilot  
Internal  
Standards  
ISO 5599-1

Pilot valve width  
30 mm CNOMO  
Frame size  
ISO 3  
Valve plug connector  
Without valve plug connector

Connection type  
Plate connection  
Blocking principle  
Single base plate principle  
Can be assembled into blocks  
Can be assembled into blocks

Control pressure min.  
2.5 bar  
Control pressure max.  
10.3 bar  
Min. ambient temperature  
-15 °C  
Max. ambient temperature  
66 °C

Min. medium temperature  
-15 °C  
Max. medium temperature  
66 °C  
Medium  
Compressed air

Standard compressed air connection  
according to ISO 5599-1

Compressed air connection pilot exhaust  
Base plate ISO 5599-1

Power consumption DC  
2.7 W

Pilot valve width  
30 mm CNOMO  
Protection class according to NEMA  
NEMA 4  
mounting screws  
M8 with hexagon socket

Mounting screw tightening torque  
9.2 Nm  
Weight  
2.26 kg

## Material

Housing material  
Die-cast aluminum  
Surface housing  
painted gray

Part No.  
R432006186

## Technical information

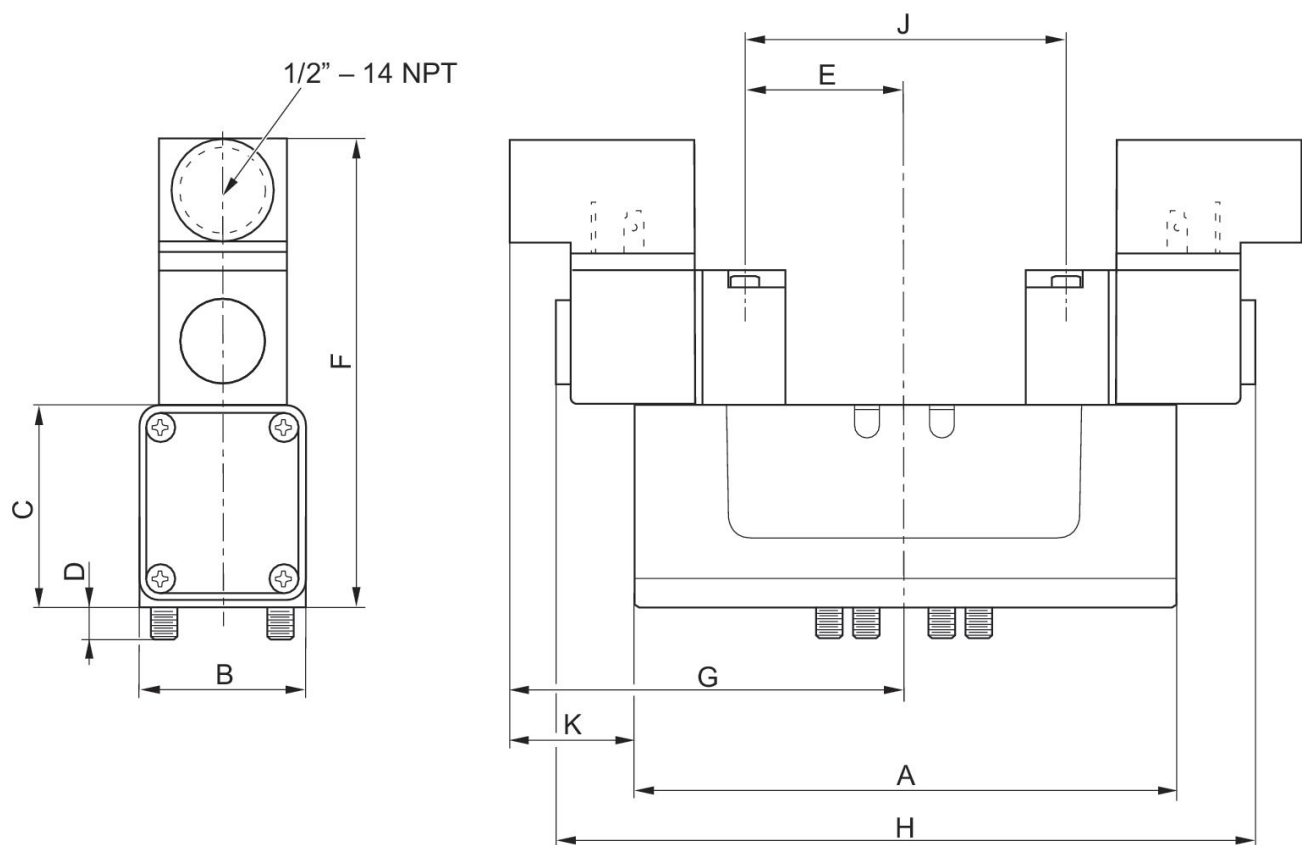
The min. control pressure must be adhered to, since otherwise faulty switching and valve failure may result!

The pressure dew point must be at least 15 °C under ambient and medium temperature and may not exceed 3 °C .

The oil content of compressed air must remain constant during the life cycle.

Use only the approved oils from AVENTICS. Further information can be found in the “Technical information” document (available in <https://www.emerson.com/en-us/support>).

## Dimensions in inches



## Dimensions in inches

Part No.	A	B	C	D	E	F	G	H	J
R432006186	7.54	2.71	2.59	0.41	1.62	5.23	4.18	8.36	3.25
R432006187	7.54	2.71	2.59	0.41	1.62	5.23	4.18	8.36	3.25
R432030359	7.54	2.71	2.59	0.41	1.62	5.23	4.18	8.36	3.25
R432006184	7.54	2.71	2.59	0.41	1.62	5.23	4.18	8.36	3.25

Part No.	A	B	C	D	E	F	G	H	J
R432006185	7.54	2.71	2.59	0.41	1.62	5.23	4.18	8.36	3.25
R432002450	7.54	2.71	2.59	0.41	1.62	5.23	4.18	8.36	3.25

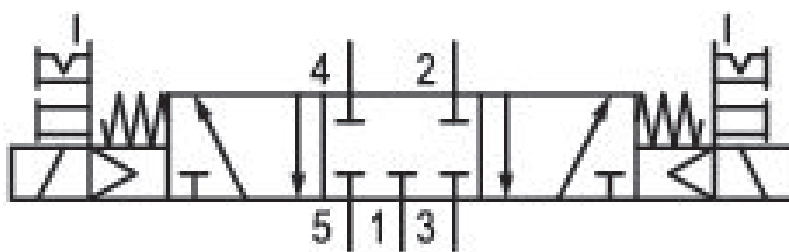
Part No.	K
R432006186	1.05
R432006187	1.05
R432030359	1.05
R432006184	1.05
R432006185	1.05
R432002450	1.05

# 5/3-directional valve, Series CERAM™, size 3

## R432006187

Series CERAM™, size 3

■ Qn max. [[4300] l/min]



### Technical data

Industry  
Industrial

Activation  
Electrically

Nominal flow Qn  
4300 l/min

Switching principle  
5/3

Version  
Exhausted Center

Working pressure min.  
0 bar

Working pressure max  
10.3 bar

DC operating voltage  
24 V

Voltage tolerance DC  
-10% / +10%

Manual override  
with detent  
without detent

Electrical connection type  
Plug

Electrical connection size  
EN 175301-803, form A

Actuating control  
Double Solenoid  
Sealing principle  
Ceramic

Pilot  
Internal  
Standards  
ISO 5599-1

Pilot valve width  
30 mm CNOMO  
Frame size  
ISO 3  
Valve plug connector  
Without valve plug connector

Connection type  
Plate connection  
Blocking principle  
Single base plate principle  
Can be assembled into blocks  
Can be assembled into blocks

Control pressure min.  
2.5 bar  
Control pressure max.  
10.3 bar  
Min. ambient temperature  
-15 °C  
Max. ambient temperature  
66 °C

Min. medium temperature  
-15 °C  
Max. medium temperature  
66 °C  
Medium  
Compressed air

Standard compressed air connection  
according to ISO 5599-1

Compressed air connection pilot exhaust  
Base plate ISO 5599-1

Power consumption DC  
2.7 W

Pilot valve width  
30 mm CNOMO  
Protection class according to NEMA  
NEMA 4  
mounting screws  
M8 with hexagon socket

Mounting screw tightening torque  
9.2 Nm  
Weight  
2.26 kg

## Material

Housing material  
Die-cast aluminum  
Surface housing  
painted gray

Part No.  
R432006187

## Technical information

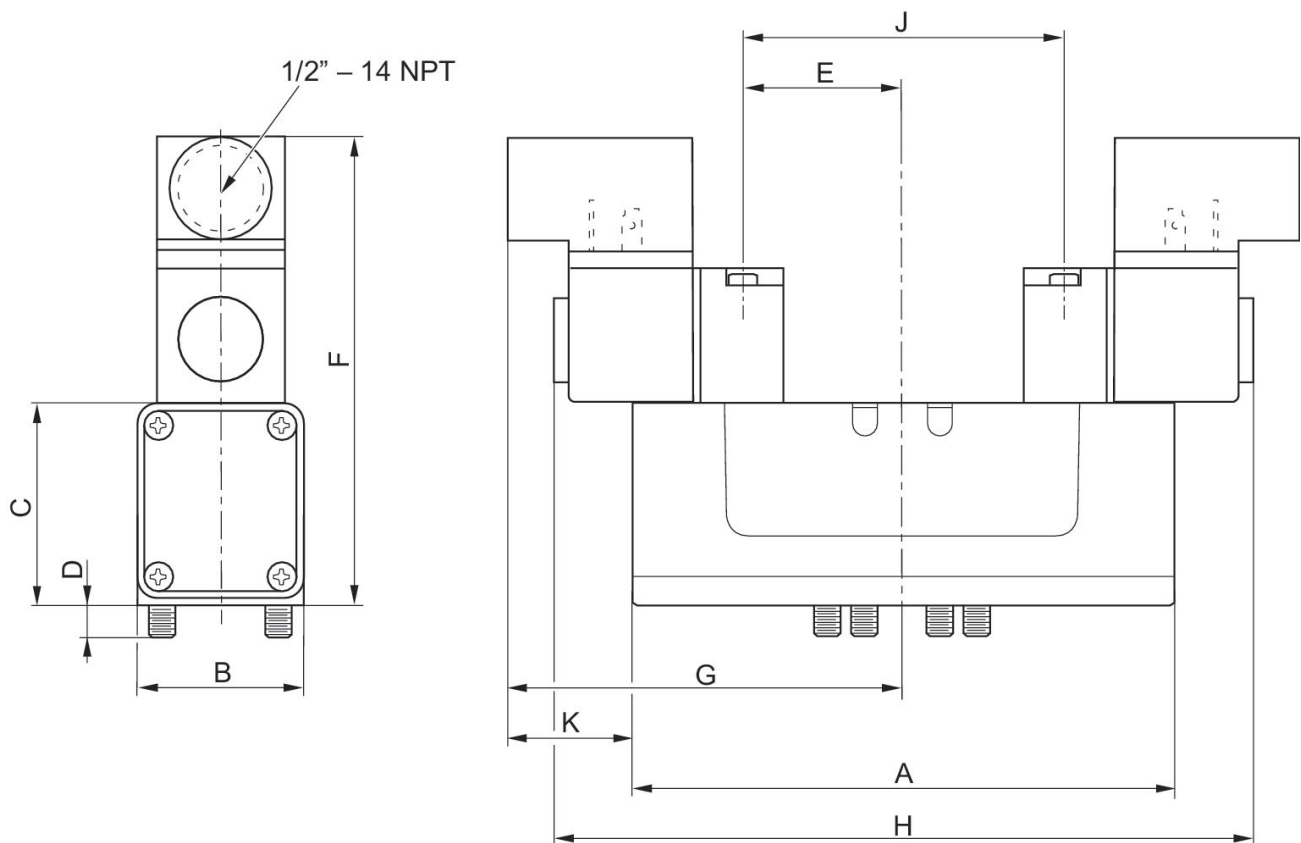
The min. control pressure must be adhered to, since otherwise faulty switching and valve failure may result!

The pressure dew point must be at least 15 °C under ambient and medium temperature and may not exceed 3 °C .

The oil content of compressed air must remain constant during the life cycle.

Use only the approved oils from AVENTICS. Further information can be found in the “Technical information” document (available in <https://www.emerson.com/en-us/support>).

## Dimensions in inches



## Dimensions in inches

Part No.	A	B	C	D	E	F	G	H	J
R432006186	7.54	2.71	2.59	0.41	1.62	5.23	4.18	8.36	3.25
R432006187	7.54	2.71	2.59	0.41	1.62	5.23	4.18	8.36	3.25
R432030359	7.54	2.71	2.59	0.41	1.62	5.23	4.18	8.36	3.25
R432006184	7.54	2.71	2.59	0.41	1.62	5.23	4.18	8.36	3.25



Part No.	A	B	C	D	E	F	G	H	J
R432006185	7.54	2.71	2.59	0.41	1.62	5.23	4.18	8.36	3.25
R432002450	7.54	2.71	2.59	0.41	1.62	5.23	4.18	8.36	3.25

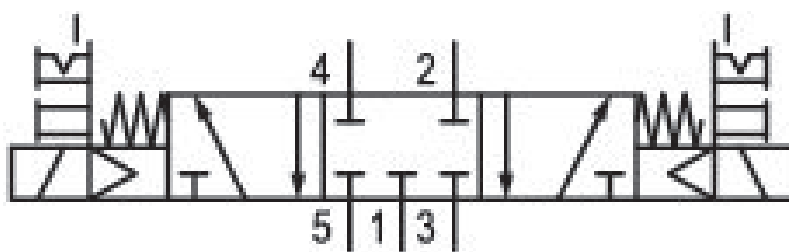
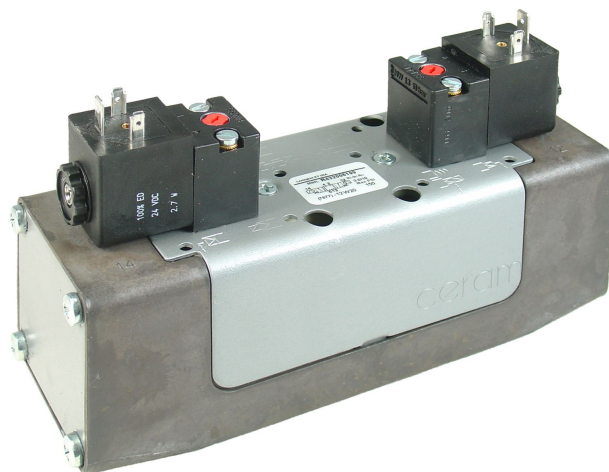
Part No.	K
R432006186	1.05
R432006187	1.05
R432030359	1.05
R432006184	1.05
R432006185	1.05
R432002450	1.05

# 5/3-directional valve, Series CERAM™, size 3

## R432030359

Series CERAM™, size 3

■ Qn max. [[4300] l/min]



### Technical data

Industry  
Industrial

Activation  
Electrically

Nominal flow Qn  
4300 l/min

Switching principle  
5/3

Version  
Exhausted Center

Working pressure min.  
0 bar

Working pressure max  
10.3 bar

Operational voltage AC at 50 Hz  
24 V

Operational voltage AC at 60 Hz  
24 V

Voltage tolerance AC 50 Hz  
-10% / +10%

Voltage tolerance AC 60 Hz  
-10% / +10%

Manual override  
with detent  
without detent

Electrical connection type  
Plug

Electrical connection size  
EN 175301-803, form A

Actuating control  
Double Solenoid

Sealing principle  
Ceramic

Pilot  
Internal

Standards  
ISO 5599-1

Pilot valve width  
30 mm CNOMO

Frame size  
ISO 3

Valve plug connector  
Without valve plug connector

Connection type  
Plate connection

Blocking principle  
Single base plate principle

Can be assembled into blocks  
Can be assembled into blocks

Control pressure min.  
2.5 bar

Control pressure max.  
10.3 bar

Min. ambient temperature  
-15 °C

Max. ambient temperature  
66 °C

Min. medium temperature  
-15 °C

Max. medium temperature  
66 °C

Medium  
Compressed air

Standard compressed air connection  
according to ISO 5599-1

Compressed air connection pilot exhaust  
Base plate ISO 5599-1

Holding power AC 50 Hz  
3.7 VA

Holding power AC 60 Hz  
3.7 VA

Switch-on power AC 50 Hz  
6.4 VA

Switch-on power AC 60 Hz  
6.4 VA

Pilot valve width  
30 mm CNOMO

Protection class according to NEMA  
NEMA 4

mounting screws  
M8 with hexagon socket

Mounting screw tightening torque  
9.2 Nm

## Material

Housing material  
Die-cast aluminum

Surface housing  
painted gray

Part No.  
R432030359

## Technical information

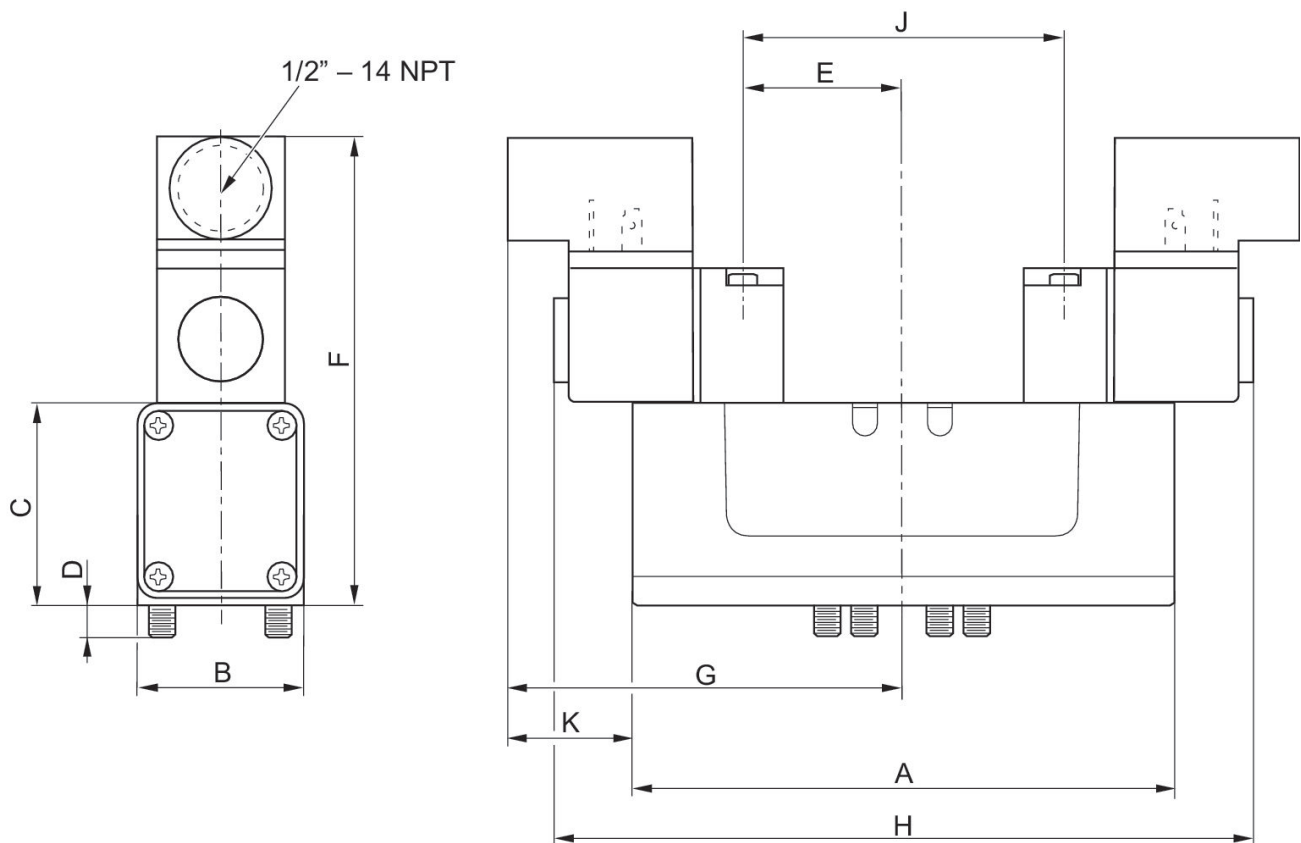
The min. control pressure must be adhered to, since otherwise faulty switching and valve failure may result!

The pressure dew point must be at least 15 °C under ambient and medium temperature and may not exceed 3 °C .

The oil content of compressed air must remain constant during the life cycle.

Use only the approved oils from AVENTICS. Further information can be found in the “Technical information” document (available in <https://www.emerson.com/en-us/support>).

## Dimensions in inches



## Dimensions in inches

Part No.	A	B	C	D	E	F	G	H	J
R432006186	7.54	2.71	2.59	0.41	1.62	5.23	4.18	8.36	3.25
R432006187	7.54	2.71	2.59	0.41	1.62	5.23	4.18	8.36	3.25
R432030359	7.54	2.71	2.59	0.41	1.62	5.23	4.18	8.36	3.25
R432006184	7.54	2.71	2.59	0.41	1.62	5.23	4.18	8.36	3.25

Part No.	A	B	C	D	E	F	G	H	J
R432006185	7.54	2.71	2.59	0.41	1.62	5.23	4.18	8.36	3.25
R432002450	7.54	2.71	2.59	0.41	1.62	5.23	4.18	8.36	3.25

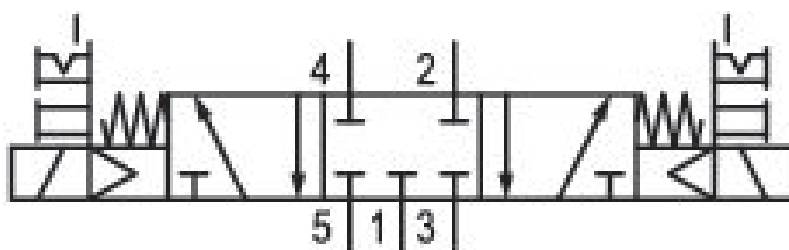
Part No.	K
R432006186	1.05
R432006187	1.05
R432030359	1.05
R432006184	1.05
R432006185	1.05
R432002450	1.05

# 5/3-directional valve, Series CERAM™, size 3

## R432006184

Series CERAM™, size 3

■ Qn max. [[4300] l/min]



### Technical data

Industry  
Industrial

Activation  
Electrically

Nominal flow Qn  
4300 l/min

Switching principle  
5/3

Version  
Exhausted Center

Working pressure min.  
0 bar

Working pressure max  
10.3 bar

Operational voltage AC at 50 Hz  
110 V

Operational voltage AC at 60 Hz  
120 V

Voltage tolerance AC 50 Hz  
-10% / +10%

Voltage tolerance AC 60 Hz  
-10% / +10%

Manual override  
with detent  
without detent

Electrical connection type  
Plug

Electrical connection size  
EN 175301-803, form A

Actuating control  
Double Solenoid

Pilot valve width  
30 mm CNOMO

Frame size  
ISO 3

Valve plug connector  
Without valve plug connector

Control pressure min.  
2.5 bar

Control pressure max.  
10.3 bar

Min. ambient temperature  
-15 °C

Max. ambient temperature  
66 °C

Standard compressed air connection  
according to ISO 5599-1

Holding power AC 50 Hz  
3.7 VA

Holding power AC 60 Hz  
3.7 VA

Pilot valve width  
30 mm CNOMO

Protection class according to NEMA  
NEMA 4

mounting screws  
M8 with hexagon socket

## Material

Housing material  
Die-cast aluminum

Surface housing  
painted gray

Sealing principle  
Ceramic

Pilot  
Internal

Standards  
ISO 5599-1

Connection type  
Plate connection

Blocking principle  
Single base plate principle

Can be assembled into blocks  
Can be assembled into blocks

Min. medium temperature  
-15 °C

Max. medium temperature  
66 °C

Medium  
Compressed air

Compressed air connection pilot exhaust  
Base plate ISO 5599-1

Switch-on power AC 50 Hz  
6.4 VA

Switch-on power AC 60 Hz  
6.4 VA

Mounting screw tightening torque  
9.2 Nm

Weight  
2.19 kg

Part No.  
R432006184

## Technical information

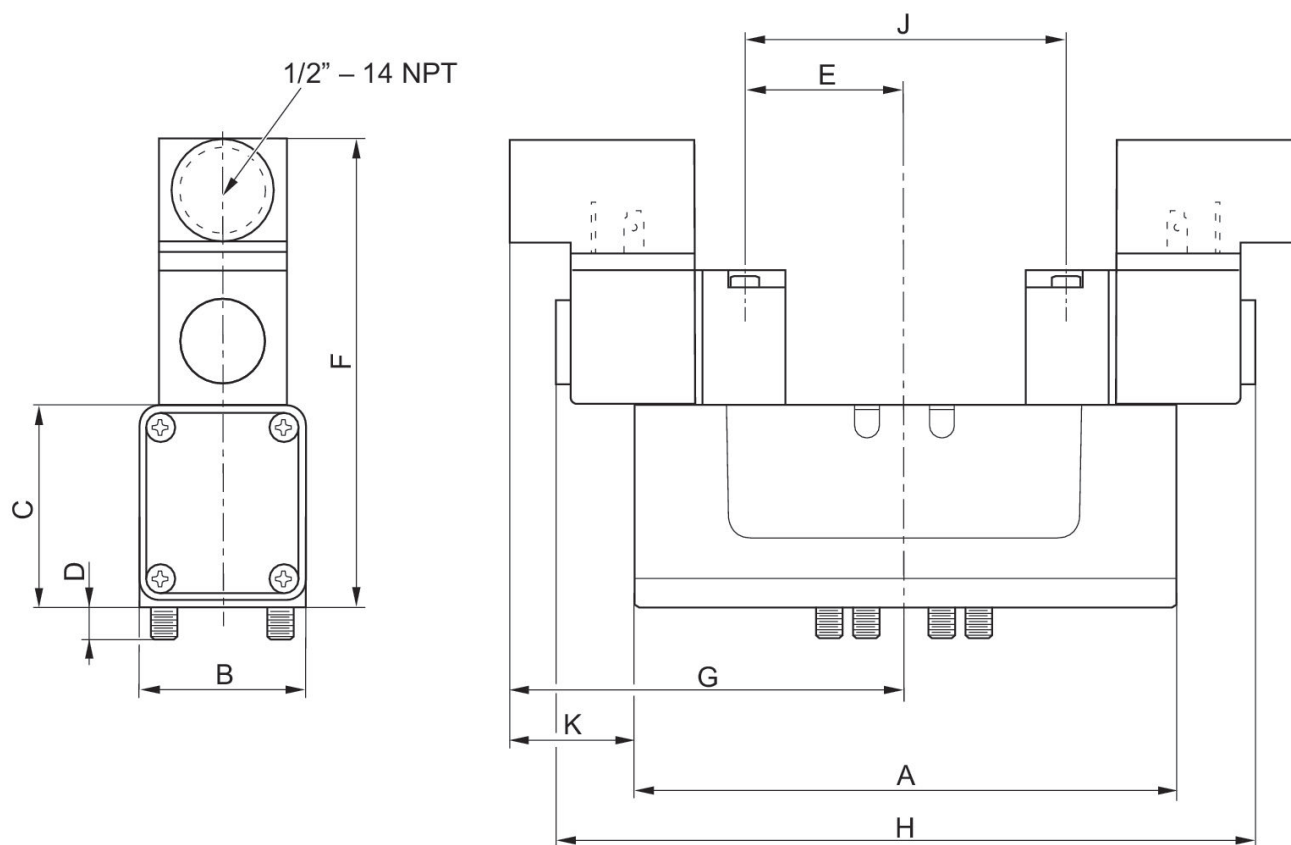
The min. control pressure must be adhered to, since otherwise faulty switching and valve failure may result!

The pressure dew point must be at least 15 °C under ambient and medium temperature and may not exceed 3 °C .

The oil content of compressed air must remain constant during the life cycle.

Use only the approved oils from AVENTICS. Further information can be found in the “Technical information” document (available in <https://www.emerson.com/en-us/support>).

## Dimensions in inches



## Dimensions in inches

Part No.	A	B	C	D	E	F	G	H	J
R432006186	7.54	2.71	2.59	0.41	1.62	5.23	4.18	8.36	3.25
R432006187	7.54	2.71	2.59	0.41	1.62	5.23	4.18	8.36	3.25
R432030359	7.54	2.71	2.59	0.41	1.62	5.23	4.18	8.36	3.25
R432006184	7.54	2.71	2.59	0.41	1.62	5.23	4.18	8.36	3.25



Part No.	A	B	C	D	E	F	G	H	J
R432006185	7.54	2.71	2.59	0.41	1.62	5.23	4.18	8.36	3.25
R432002450	7.54	2.71	2.59	0.41	1.62	5.23	4.18	8.36	3.25

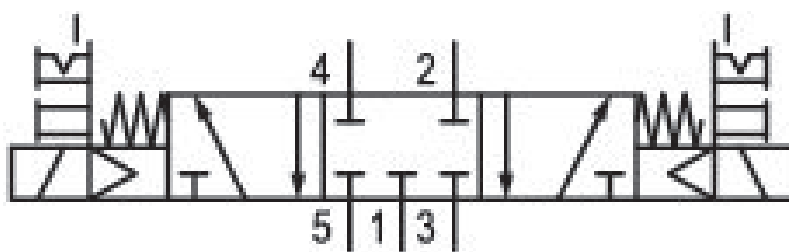
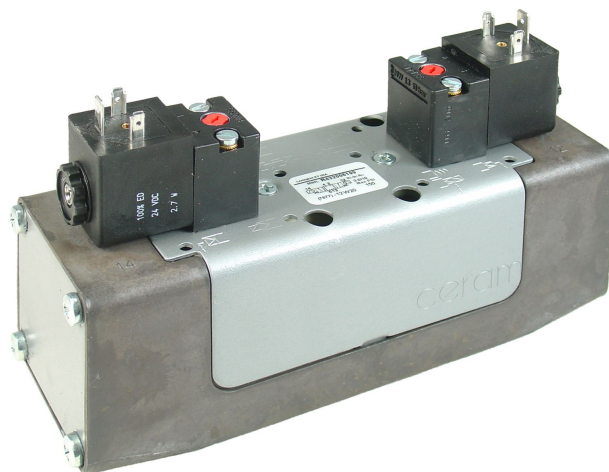
Part No.	K
R432006186	1.05
R432006187	1.05
R432030359	1.05
R432006184	1.05
R432006185	1.05
R432002450	1.05

# 5/3-directional valve, Series CERAM™, size 3

## R432006185

Series CERAM™, size 3

■ Qn max. [[4300] l/min]



### Technical data

Industry  
Industrial

Activation  
Electrically

Nominal flow Qn  
4300 l/min

Switching principle  
5/3

Version  
Exhausted Center

Working pressure min.  
0 bar

Working pressure max  
10.3 bar

Operational voltage AC at 50 Hz  
220 V

Operational voltage AC at 60 Hz  
240 V

Voltage tolerance AC 50 Hz  
-10% / +10%

Voltage tolerance AC 60 Hz  
-10% / +10%

Manual override  
with detent  
without detent

Electrical connection type  
Plug

Electrical connection size  
EN 175301-803, form A

Actuating control  
Double Solenoid

Pilot valve width  
30 mm CNOMO

Frame size  
ISO 3

Valve plug connector  
Without valve plug connector

Control pressure min.  
2.5 bar

Control pressure max.  
10.3 bar

Min. ambient temperature  
-15 °C

Max. ambient temperature  
66 °C

Standard compressed air connection  
according to ISO 5599-1

Holding power AC 50 Hz  
3.7 VA

Holding power AC 60 Hz  
3.7 VA

Pilot valve width  
30 mm CNOMO

Protection class according to NEMA  
NEMA 4

mounting screws  
M8 with hexagon socket

## Material

Housing material  
Die-cast aluminum

Surface housing  
painted gray

Sealing principle  
Ceramic

Pilot  
Internal

Standards  
ISO 5599-1

Connection type  
Plate connection

Blocking principle  
Single base plate principle

Can be assembled into blocks  
Can be assembled into blocks

Min. medium temperature  
-15 °C

Max. medium temperature  
66 °C

Medium  
Compressed air

Compressed air connection pilot exhaust  
Base plate ISO 5599-1

Switch-on power AC 50 Hz  
6.4 VA

Switch-on power AC 60 Hz  
6.4 VA

Mounting screw tightening torque  
9.2 Nm

Weight  
2.26 kg

Part No.  
R432006185

## Technical information

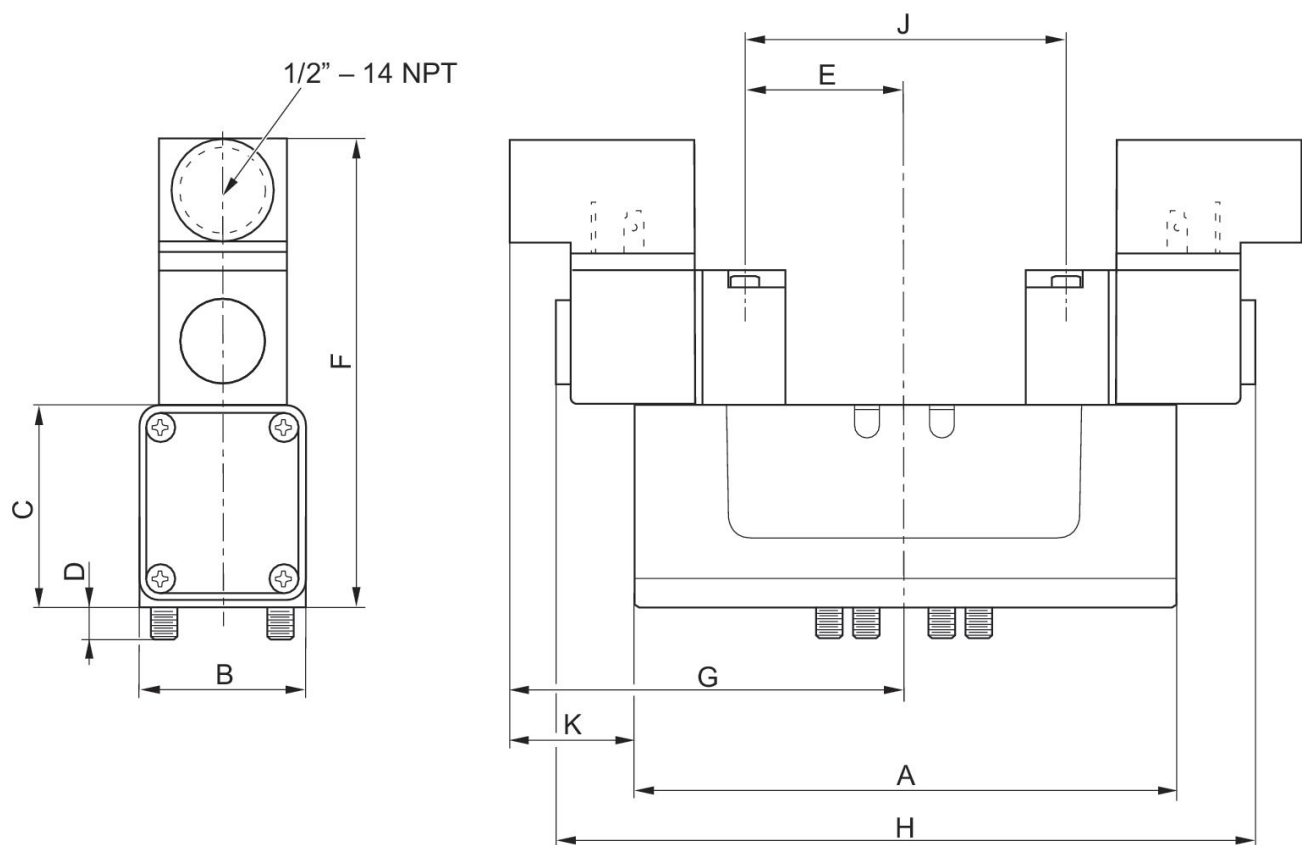
The min. control pressure must be adhered to, since otherwise faulty switching and valve failure may result!

The pressure dew point must be at least 15 °C under ambient and medium temperature and may not exceed 3 °C .

The oil content of compressed air must remain constant during the life cycle.

Use only the approved oils from AVENTICS. Further information can be found in the “Technical information” document (available in <https://www.emerson.com/en-us/support>).

## Dimensions in inches



## Dimensions in inches

Part No.	A	B	C	D	E	F	G	H	J
R432006186	7.54	2.71	2.59	0.41	1.62	5.23	4.18	8.36	3.25
R432006187	7.54	2.71	2.59	0.41	1.62	5.23	4.18	8.36	3.25
R432030359	7.54	2.71	2.59	0.41	1.62	5.23	4.18	8.36	3.25
R432006184	7.54	2.71	2.59	0.41	1.62	5.23	4.18	8.36	3.25

Part No.	A	B	C	D	E	F	G	H	J
R432006185	7.54	2.71	2.59	0.41	1.62	5.23	4.18	8.36	3.25
R432002450	7.54	2.71	2.59	0.41	1.62	5.23	4.18	8.36	3.25

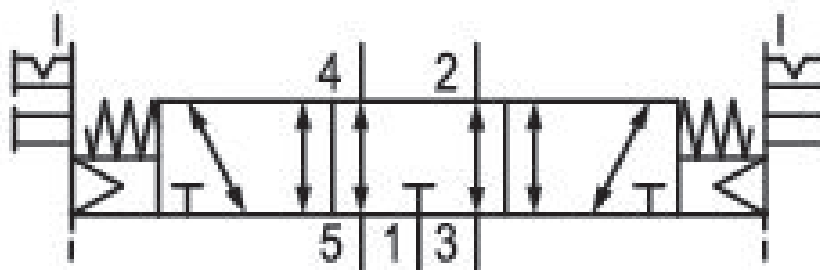
Part No.	K
R432006186	1.05
R432006187	1.05
R432030359	1.05
R432006184	1.05
R432006185	1.05
R432002450	1.05

# 5/3-directional valve, Series CERAM™, size 3

## R432002450

Series CERAM™, size 3

■ Qn max. [[4300] l/min]



### Technical data

Industry  
Industrial

Activation  
Electrically

Nominal flow Qn  
4300 l/min

Switching principle  
5/3

Version  
Exhausted Center

Working pressure min.  
0 bar

Working pressure max  
10.3 bar

Actuating control  
Single Solenoid

Sealing principle  
Ceramic

Pilot  
External

Standards  
ISO 5599-1

**Pilot valve width**

30 mm CNOMO

**Frame size**

ISO 3

**basic valve with electrical connector**

Basic valve without coil

**Valve plug connector**

Without valve plug connector

**Control pressure min.**

-0.8 bar

**Control pressure max.**

10.3 bar

**Min. ambient temperature**

-15 °C

**Max. ambient temperature**

66 °C

**Connection type**

Plate connection

**Blocking principle**

Single base plate principle

**Can be assembled into blocks**

Can be assembled into blocks

**Min. medium temperature**

-15 °C

**Max. medium temperature**

66 °C

**Medium**

Compressed air

**Standard compressed air connection**

according to ISO 5599-1

**Compressed air connection pilot exhaust**

Base plate ISO 5599-1

**Pilot valve width**

30 mm CNOMO

**Protection class according to NEMA**

NEMA 4

**mounting screws**

M8 with hexagon socket

**Mounting screw tightening torque**

2.2 Nm

## Material

**Housing material**

Die-cast aluminum

**Surface housing**

painted gray

**Part No.**

R432002450

## Technical information

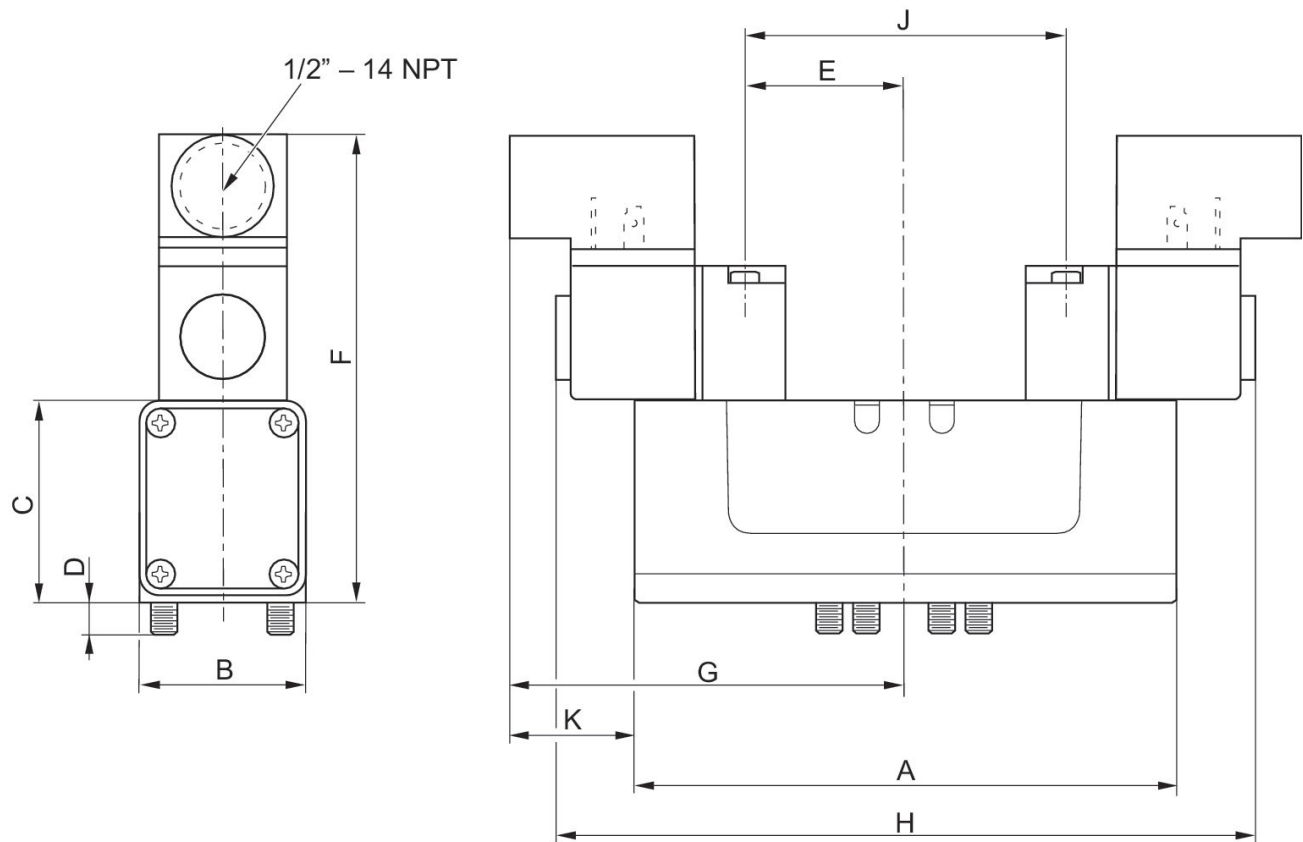
The min. control pressure must be adhered to, since otherwise faulty switching and valve failure may result!

The pressure dew point must be at least 15 °C under ambient and medium temperature and may not exceed 3 °C .

The oil content of compressed air must remain constant during the life cycle.

Use only the approved oils from AVENTICS. Further information can be found in the "Technical information" document (available in <https://www.emerson.com/en-us/support>).

### Dimensions in inches



### Dimensions in inches

Part No.	A	B	C	D	E	F	G	H	J
R432006186	7.54	2.71	2.59	0.41	1.62	5.23	4.18	8.36	3.25
R432006187	7.54	2.71	2.59	0.41	1.62	5.23	4.18	8.36	3.25
R432030359	7.54	2.71	2.59	0.41	1.62	5.23	4.18	8.36	3.25
R432006184	7.54	2.71	2.59	0.41	1.62	5.23	4.18	8.36	3.25
R432006185	7.54	2.71	2.59	0.41	1.62	5.23	4.18	8.36	3.25
R432002450	7.54	2.71	2.59	0.41	1.62	5.23	4.18	8.36	3.25

Part No.	K
R432006186	1.05
R432006187	1.05
R432030359	1.05
R432006184	1.05
R432006185	1.05
R432002450	1.05



# End plate right, Inch version

- standard ISO 5599-1
- Frame size ISO 1 ISO 2 ISO 3
- type C



Standards	ISO 5599-1
Working pressure min./max.	-0.95 ... 16 bar
Ambient temperature min./max.	-15 ... 70 °C
Medium temperature min./max.	-15 ... 70 °C
Medium	Compressed air
Weight	See table below

## Technical data

Part No.	Frame size	Compressed air connection Input [1]	Compressed air connection Exhaust [3 / 5]	Weight
R432037652	ISO 1	3/8 NPT	3/8 NPT	0.32 kg
R432037654	ISO 2	3/4 NPT	3/4 NPT	0.491 kg
R432037656	ISO 3	1 NPT	1 NPT	1.32 kg

Scope of delivery incl. seal and mounting screws

## Technical information

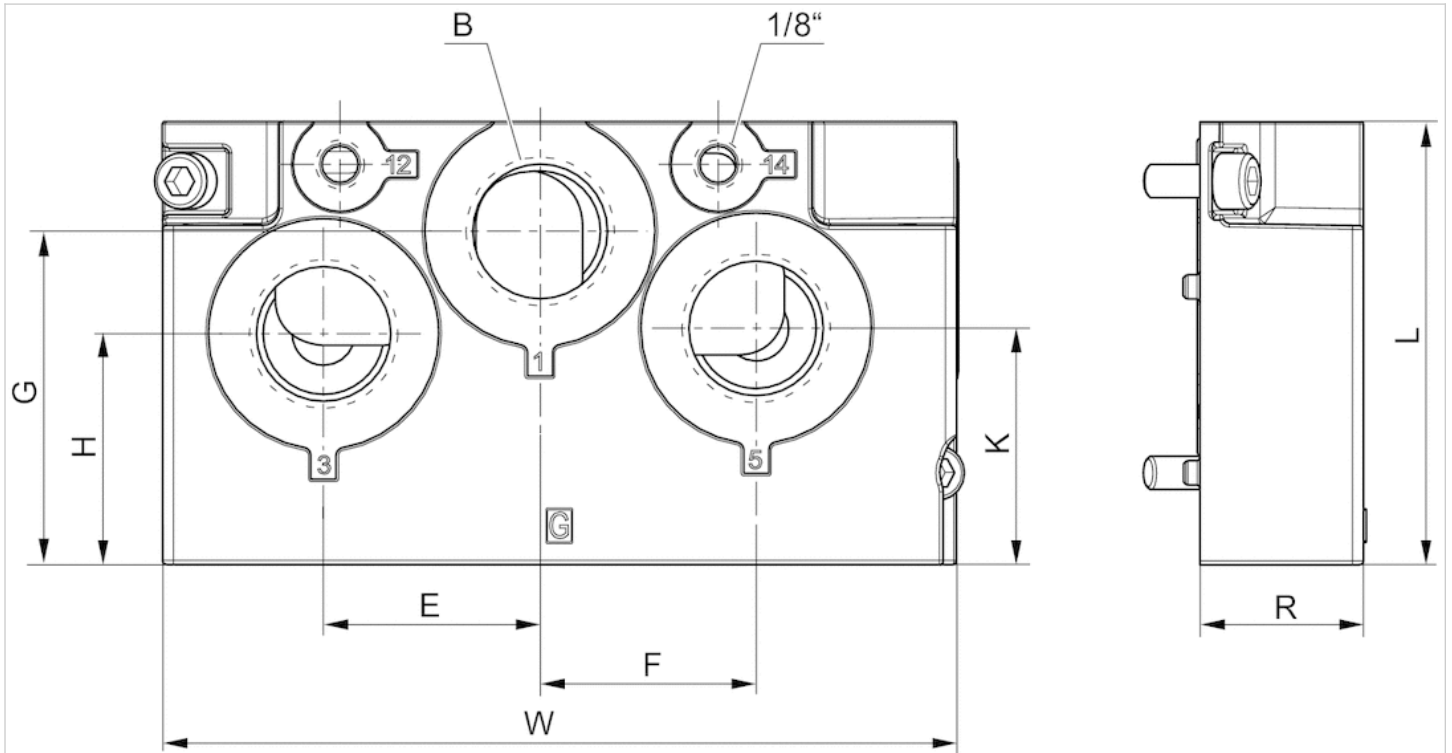
The min. control pressure must be adhered to, since otherwise faulty switching and valve failure may result!  
 The pressure dew point must be at least 15 °C under ambient and medium temperature and may not exceed 3 °C .  
 The oil content of compressed air must remain constant during the life cycle.  
 Use only the approved oils from AVENTICS. Further information can be found in the "Technical information" document (available in the MediaCentre).

## Technical information

Material	
Surface	Painted
Base plate	Die-cast aluminum, black painted
Seal	Acrylonitrile butadiene rubber

## Dimensions

### Dimensions



## Dimensions

Part No.	E	F	G	H	J	K	W	Frame size
R432037652	23	18	15.5	30	20	37.5	135	ISO 1
R432037654	39	39	60	41.5	38	42.5	143	ISO 2
R432037656	49	49	76	53	32	53	53	ISO 3

# End plate left

- standard ISO 5599-1
- Frame size ISO 1 ISO 2 ISO 3
- type C



Standards	ISO 5599-1
Working pressure min./max.	-0.95 ... 16 bar
Ambient temperature min./max.	-15 ... 70 °C
Medium temperature min./max.	-15 ... 70 °C
Medium	Compressed air
Weight	See table below

## Technical data

Part No.	Frame size	Compressed air connection Input [1]	Compressed air connection Exhaust [3 / 5]	Weight
R432037646	ISO 1	3/8 NPT	3/8 NPT	0.309 kg
R432037648	ISO 2	3/4 NPT	3/4 NPT	0.509 kg
R432037650	ISO 3	1 NPT	1 NPT	1.31 kg

Scope of delivery incl. seal and mounting screws

## Technical information

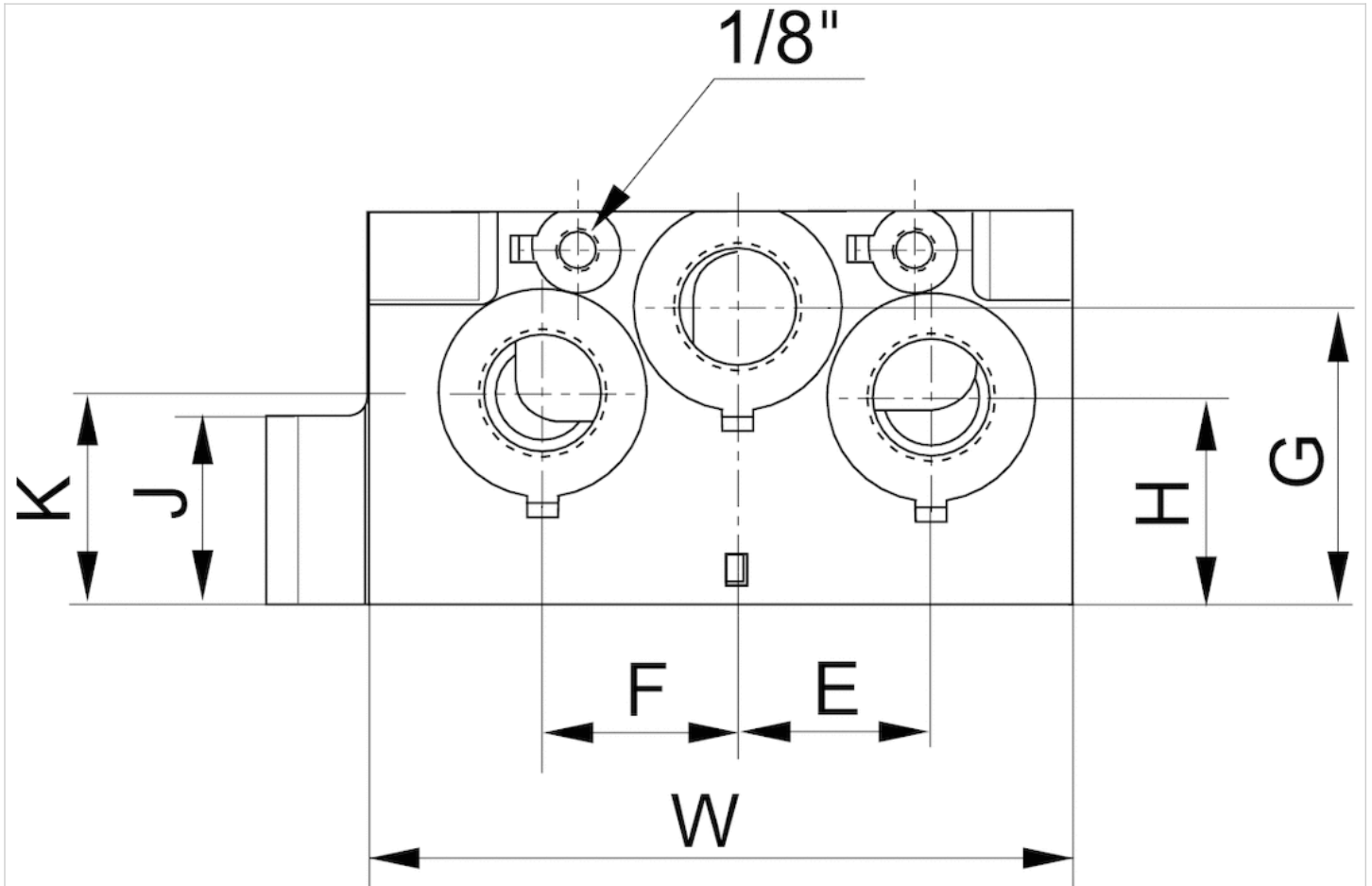
The min. control pressure must be adhered to, since otherwise faulty switching and valve failure may result!  
 The pressure dew point must be at least 15 °C under ambient and medium temperature and may not exceed 3 °C .  
 The oil content of compressed air must remain constant during the life cycle.  
 Use only the approved oils from AVENTICS. Further information can be found in the "Technical information" document (available in the MediaCentre).

## Technical information

Material	
Base plate	Die-cast aluminum
Seal	Acrylonitrile butadiene rubber

## Dimensions

### Dimensions



## Dimensions

Part No.	E	F	G	H	J	K	W
R432037646	23	18	15.5	30	20	37.5	135
R432037648	39	39	60	41.5	38	42.5	143
R432037650	49	49	76	53	32	53	164

# ISO 5599-1, Base and end plates, Inch version

- standard ISO 5599-1
- Frame size ISO 1 ISO 2 ISO 3
- type C
- Compressed air connection output 3/8 NPT 1/2 NPT 3/4 NPT
- Can be assembled into blocks



Standards	ISO 5599-1
Working pressure min./max.	-1 ... 16 bar
Ambient temperature min./max.	-20 ... 70 °C
Medium temperature min./max.	-20 ... 70 °C
Medium	Compressed air
Direction of pneumatic port (1)	Both directions possible
Direction of pneumatic port (3,5)	Both directions possible
Exhaust type	Ports separated
Weight	See table below

## Technical data

Part No.	Frame size	Compressed air connection Output [2 / 4]	Weight
R432037640	ISO 1	3/8 NPT	0.592 kg
R432037642	ISO 2	1/2 NPT	1.04 kg
R432037644	ISO 3	3/4 NPT	1.89 kg

Scope of delivery incl. seal and mounting screws

## Technical information

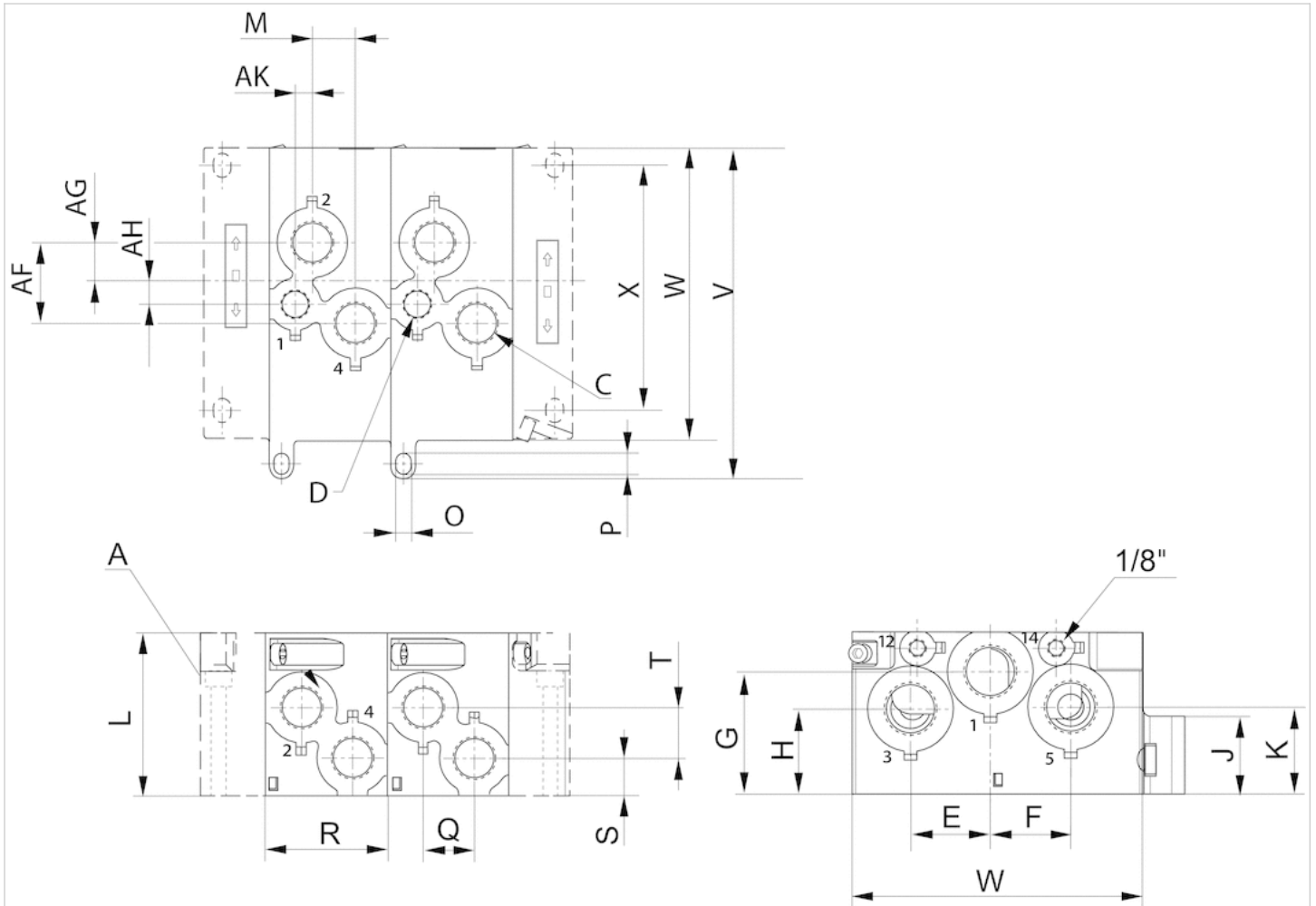
The min. control pressure must be adhered to, since otherwise faulty switching and valve failure may result!  
 The pressure dew point must be at least 15 °C under ambient and medium temperature and may not exceed 3 °C .  
 The oil content of compressed air must remain constant during the life cycle.  
 Use only the approved oils from AVENTICS. Further information can be found in the "Technical information" document (available in the MediaCentre).

## Technical information

Material	
Surface	painted
Base plate	Die-cast aluminum, black painted
Seal	Acrylonitrile butadiene rubber

## Dimensions

### Dimensions



A = left and right end plates in two versions

## Dimensions

Part No.	A	D	C	F	G	H	K	L	M	O	P	R	Q	S	T
R432037640	1/4 NPT	-	3/8 NPT	23.8	11.8	-	-	60.6	12	5.5	8.5	45	18	13.3	14.7
R432037642	1/2 NPT	3/8 NPT	1/2 NPT	39.5	19	11	8.2	79.7	21	5.5	9.3	59.5	25	18	24.8
R432037644	3/4 NPT	1/2 NPT	3/4 NPT	46.3	25.1	11.2	15.8	100	22.5	6.3	9.3	80	38	24.5	20.5

# Base plate

- standard ISO 5599-1
- Frame size ISO 3
- Compressed air connection output 1/2-14 NPTF 3/4-14 PTF



Standards	ISO 5599-1
Working pressure min./max.	3.5 ... 10 bar
Ambient temperature min./max.	10 ... 200 °C
Medium temperature min./max.	10 ... 120 °C
Medium	Compressed air
Direction of pneumatic port (1)	On the side
Direction of pneumatic port (3,5)	On the side
Exhaust (3,5)	With directional exhaust (3/5)
Exhaust type	Ports separated
Mounting screw	M8
Weight	0.54 kg

## Technical data

Part No.	Compressed air connection Input [1]	Compressed air connection Output [2 / 4]
R432015308	1/2-14 NPTF	1/2-14 NPTF
R432015309	3/4-14 PTF	3/4-14 PTF

Part No.	Compressed air connection Exhaust [3 / 5]
R432015308	1/2-14 NPTF
R432015309	3/4-14 PTF

## Technical information

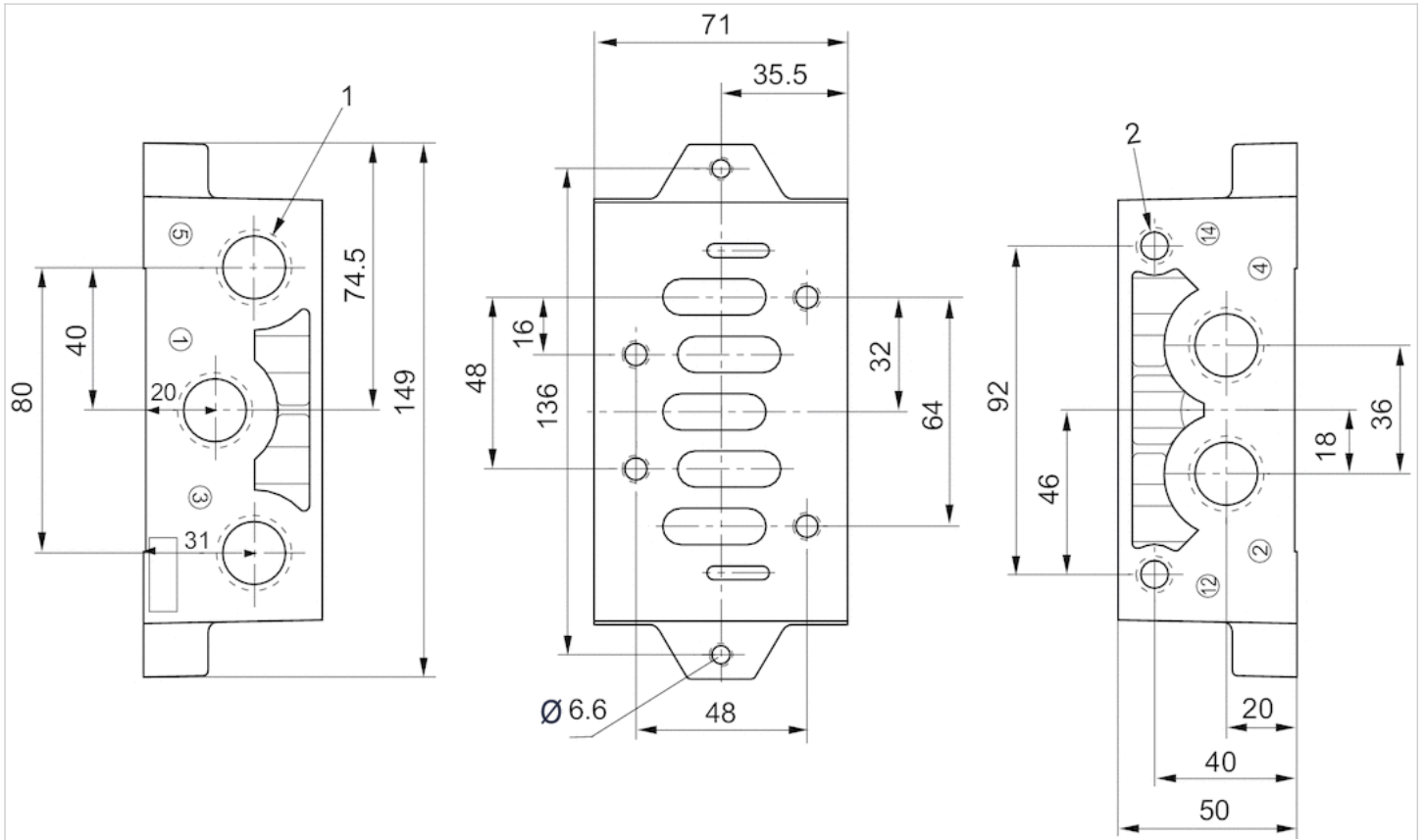
The min. control pressure must be adhered to, since otherwise faulty switching and valve failure may result!  
 The pressure dew point must be at least 15 °C under ambient and medium temperature and may not exceed 3 °C .  
 The oil content of compressed air must remain constant during the life cycle.  
 Use only the approved oils from AVENTICS. Further information can be found in the "Technical information" document (available in the MediaCentre).

## Technical information

Material	
Base plate	Die-cast aluminum

# Dimensions

## Dimensions in mm



- 1) Connections [1 ,3 ,5, 2, 4 ]
- 2) Connections [12, 14] G 1/8








# Pressure regulator

- Qn = 1700 l/min
- standard ISO 5599-1
- Frame size ISO 3
- Controlled port 1 2 2, 4 4



Working pressure min./max.	12 bar
Adjustment range min./max.	0.5 ... 8 bar
Ambient temperature min./max.	-15 ... 50 °C
Medium	Compressed air
Max. particle size	5 µm
Oil content of compressed air	0 ... 5 mg/m <sup>3</sup>
Nominal flow Qn	1700 l/min
Tightening torque for mounting screws	6 Nm
Weight	See table below
	The delivered product may vary from that in the illustration.

## Technical data

Part No.		Frame size	Controlled port	Weight
R422103096		ISO 3	1	1.9 kg
R422103097		ISO 3	2	2.06 kg
R422103098		ISO 3	2, 4	2.8 kg
R422103167		ISO 3	1	1.9 kg
R422103168		ISO 3	4	2.06 kg

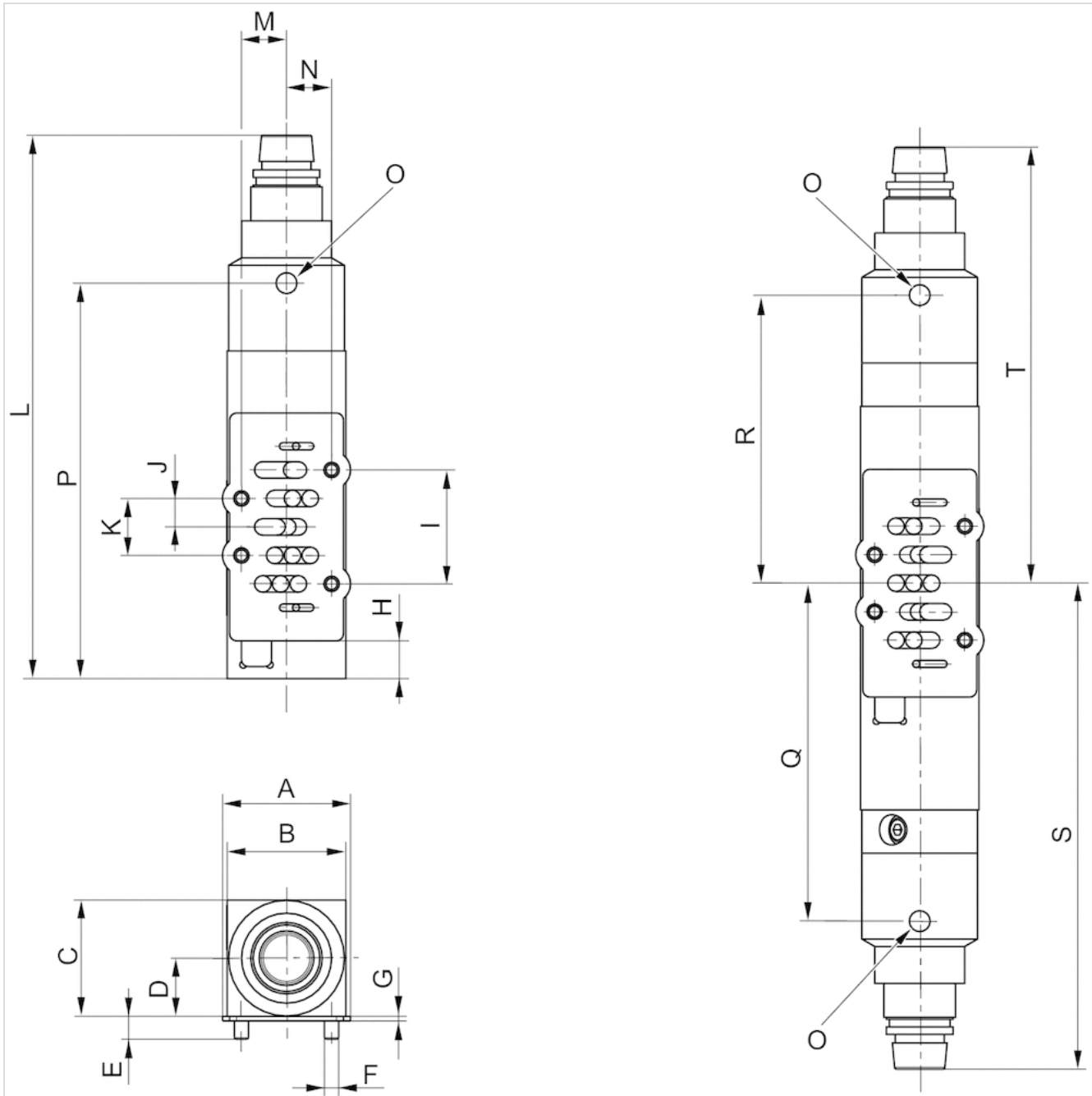
Scope of delivery incl. seal and mounting screws, Order pressure gauge separately, Nominal flow Qn at 6 bar and  $\Delta p = 1$  bar .

## Technical information

Material	
Housing	Aluminum
Seals	Butadiene rubber

## Dimensions

### Dimensions



## Dimensions

Part No.	A	B	C	D	E	F	G	H	I	J	K	L	M	N	O	P	Q	R	S	T
R422103096	-	68	68	34	13.7	M8	2	19.2	64	16	32	288.8	24	24	G1/8	200.5	-	-	-	-
R422103097	-	68	68	34	13.7	M8	2	19.2	64	16	32	294.7	24	24	G1/8	206.5	-	-	-	-
R422103098	-	68	68	34	13.7	M8	2	19.2	64	16	32	-	24	24	G1/8	-	161.3	131.3	249.5	219.5
R422103167	-	68	68	34	13.7	M8	2	1.5	64	16	32	288.8	24	24	G1/8	-	-	-	-	-
R422103168	-	68	68	34	13.7	M8	2	1.5	64	16	32	307	24	24	G1/8	-	-	-	-	-

# Blanking plate

- standard ISO 5599-1

- Frame size ISO 1 ISO 2 ISO 3 ISO 4



Standards	ISO 5599-1
Working pressure min./max.	-1 ... 16 bar
Ambient temperature min./max.	-20 ... 70 °C
Medium temperature min./max.	-20 ... 70 °C
Medium	Compressed air
Number of valve positions max.	1
Weight	See table below

## Technical data

Part No.	Frame size	Weight
5801870000	ISO 1	0.055 kg
5802870000	ISO 2	0.1 kg
5803870000	ISO 3	0.21 kg
5804870000	ISO 4	0.27 kg

Scope of delivery incl. seal and mounting screws

## Technical information

The min. control pressure must be adhered to, since otherwise faulty switching and valve failure may result!

The pressure dew point must be at least 15 °C under ambient and medium temperature and may not exceed 3 °C .

The oil content of compressed air must remain constant during the life cycle.

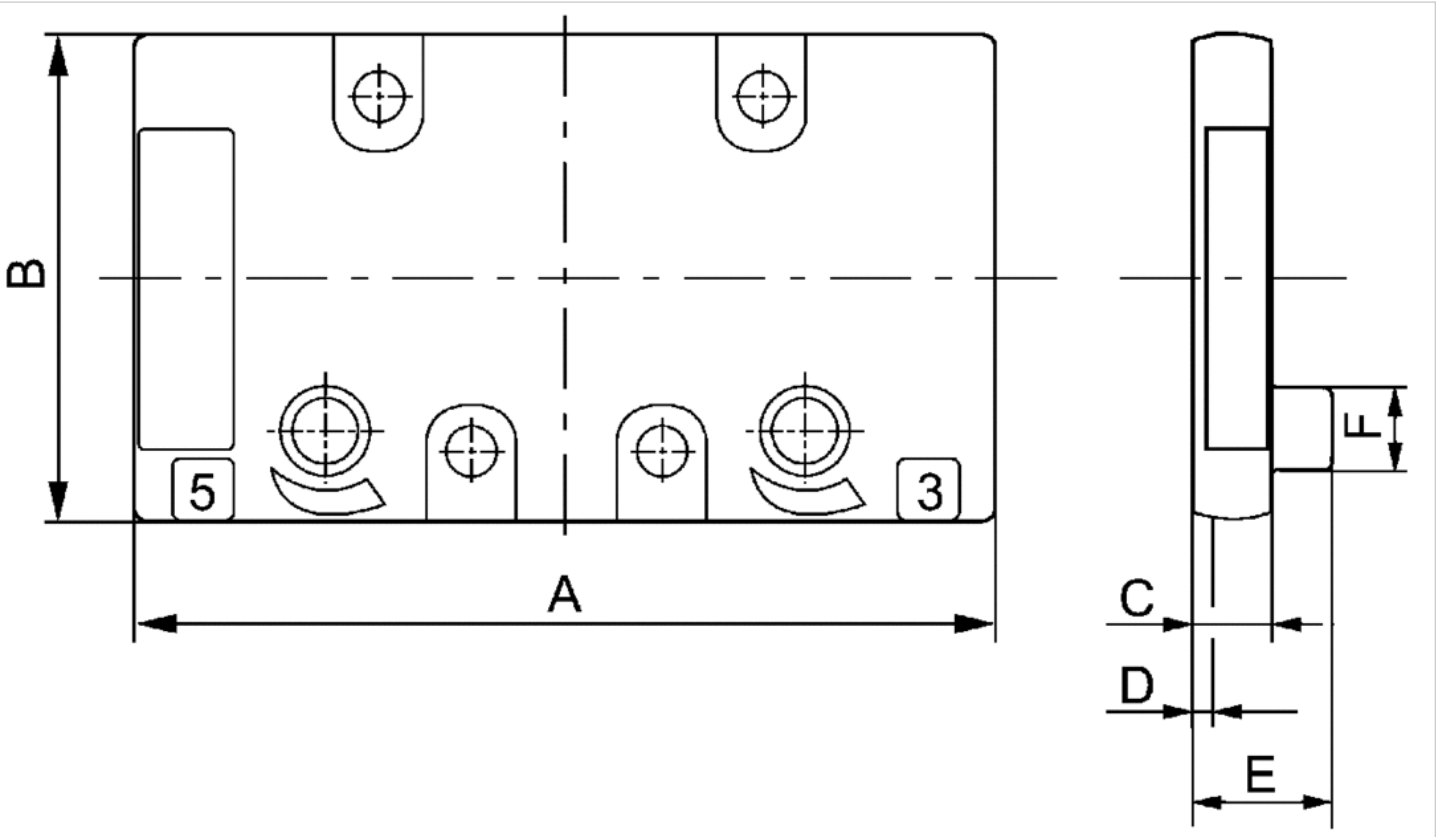
Use only the approved oils from AVENTICS. Further information can be found in the "Technical information" document (available in the MediaCentre).

## Technical information

Material	
Housing	Die-cast aluminum, black painted
Base plate	Die-cast aluminum
Seal	Acrylonitrile butadiene rubber

## Dimensions

### Dimensions



## Dimensions

Part No.	A	B	C	D	E	F	Weight
5801870000	69	39	7	2	–	–	0.055 kg
5802870000	86.4	49.4	9	2	–	–	0.1 kg
5803870000	116.5	63.5	10	2	15	12	0.21 kg
5804870000	142.5	74.5	10	2	20	15	0.27 kg

# Valve plug connector, series CON-VP

- Socket, 2+E, angled, 90° Socket, 3+E, angled, 90°

- EN 175301-803

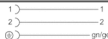






- unshielded

- with LED Yellow Red Green green/red



Connection type	Screws
Ambient temperature min./max.	-40 ... 90 °C
Operational voltage	See table below
Protection class	IP65
Mounting screw tightening torque	0.4 Nm
Weight	See table below

## Technical data

Part No.		Electrical connection	Operational voltage	Max. current
		1		
1834484048		Socket 2+E angled 90°	-	10 A
1834484059		Socket 3+E angled 90°	-	10 A
1834484101		Socket 2+E angled 90°	24 V AC/DC	-
1834484102		Socket 2+E angled 90°	110 V AC	-
1834484103		Socket 2+E angled 90°	230 V AC	-
8941016112		Socket 2+E angled 90°	230 V AC	-
8941012462		Socket 3+E angled 90°	24 V DC	8 A

Part No.	Protective circuit	Contact assignment	LED status display	suitable cable-Ø min./max
1834484048	-	2+E	-	6 / 8 mm
1834484059	-	3+E	-	6 / 8 mm
1834484101	Z-diode	2+E	Yellow	6 / 8 mm
1834484102	Varistor	2+E	Red	6 / 8 mm
1834484103	Varistor	2+E	Red	6 / 8 mm
8941016112	Varistor	2+E	Green	6 / 10 mm
8941012462	-	3+E	green/red	4.5 / 11 mm

Part No.	Seal	Weight	
1834484048	caoutchouc/butadiene caoutchouc	0.03 kg	1)
1834484059	caoutchouc/butadiene caoutchouc	0.03 kg	1)
1834484101	Silicone caoutchouc	0.03 kg	2)
1834484102	caoutchouc/butadiene caoutchouc	0.03 kg	1)
1834484103	Silicone caoutchouc	0.025 kg	1)
8941016112	caoutchouc/butadiene caoutchouc	0.03 kg	1)
8941012462	caoutchouc/butadiene caoutchouc	0.03 kg	2)

- 1) Profile seal
- 2) Flat gasket

## Technical information

The specified protection class is only valid in assembled and tested state.

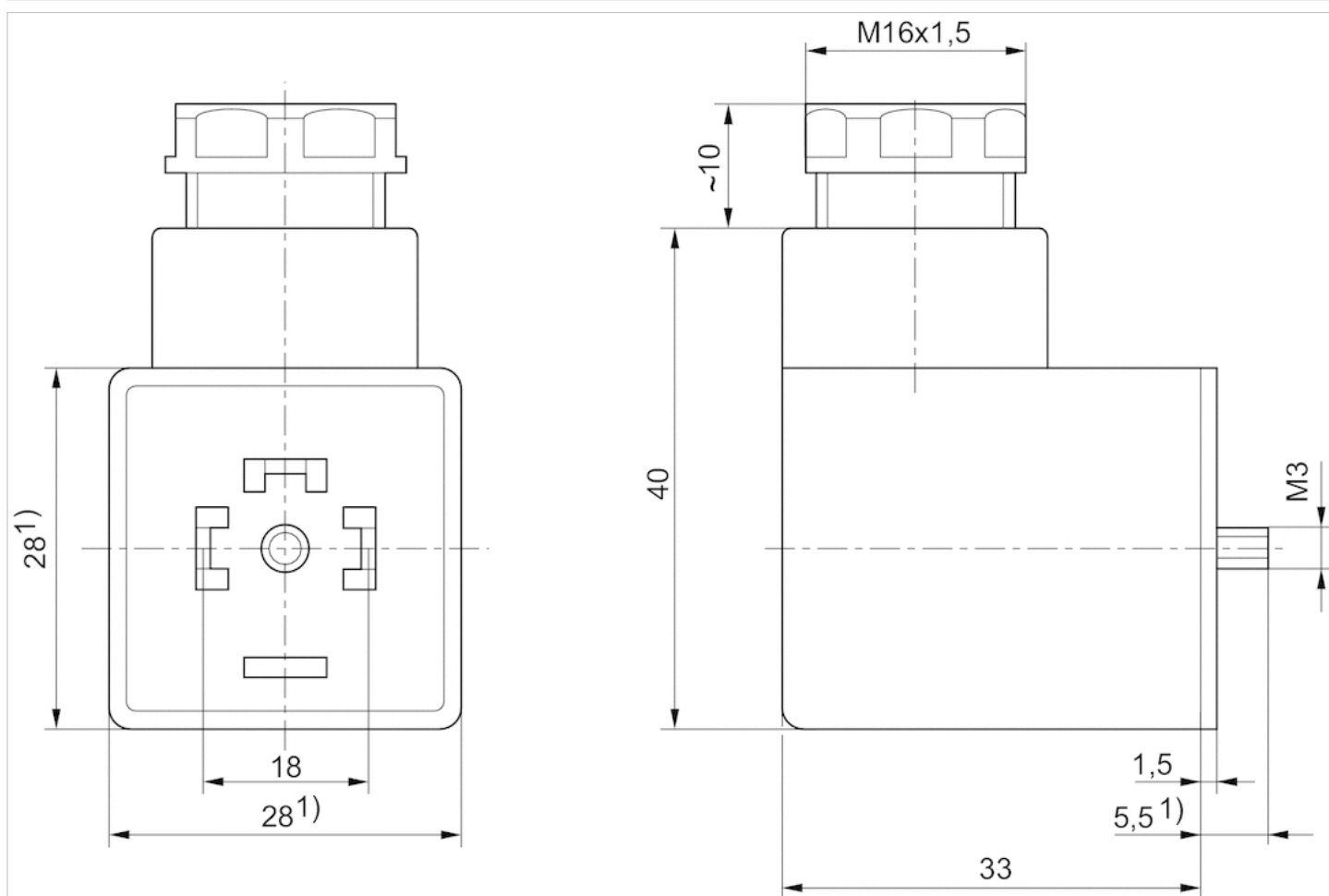
## Technical information

### Material

Seals	caoutchouc/butadiene caoutchouc Silicone caoutchouc
-------	---

## Dimensions

### Dimensions



1) Max.

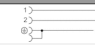

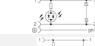


# Valve plug connector, series CON-VP

- Socket form A 2+E angled 90°
- open cable ends 3-pin
- with cable
- unshielded



Ambient temperature min./max.	-20 ... 80 °C
Operational voltage	See table below
Protection class	IP67
Wire cross-section	0.75 mm <sup>2</sup>
Mounting screw tightening torque	0.4 Nm
Weight	See table below

## Technical data

Part No.		Operational voltage	Protective circuit	Contact assignment	LED status display
1834484160		230 V AC/DC	-	2+E	-
1834484162		24 V AC/DC	Z-diode	2+E	Yellow
1834484163		24 V AC/DC	Z-diode	2+E	Yellow
1834484164		230 V AC/DC	Varistor	2+E	Red
1834484165		230 V AC/DC	Varistor	2+E	Red

Part No.	Number of wires	Cable-Ø	Cable length	Weight	Fig.	
1834484160	3	5.9 mm	3 m	0.2 kg	Fig. 1	1)
1834484162	3	5.9 mm	3 m	0.2 kg	Fig. 2	-
1834484163	3	5.9 mm	5 m	0.31 kg	Fig. 2	-
1834484164	3	5.9 mm	3 m	0.2 kg	Fig. 2	-
1834484165	3	5.9 mm	5 m	0.31 kg	Fig. 2	-

1) Scope of delivery incl. flat gasket

## Technical information

The specified protection class is only valid in assembled and tested state.

## Technical information

Material	
Seals	caoutchouc/butadiene caoutchouc
Cable sheath	Polyvinyl chloride

# Dimensions

Fig. 1

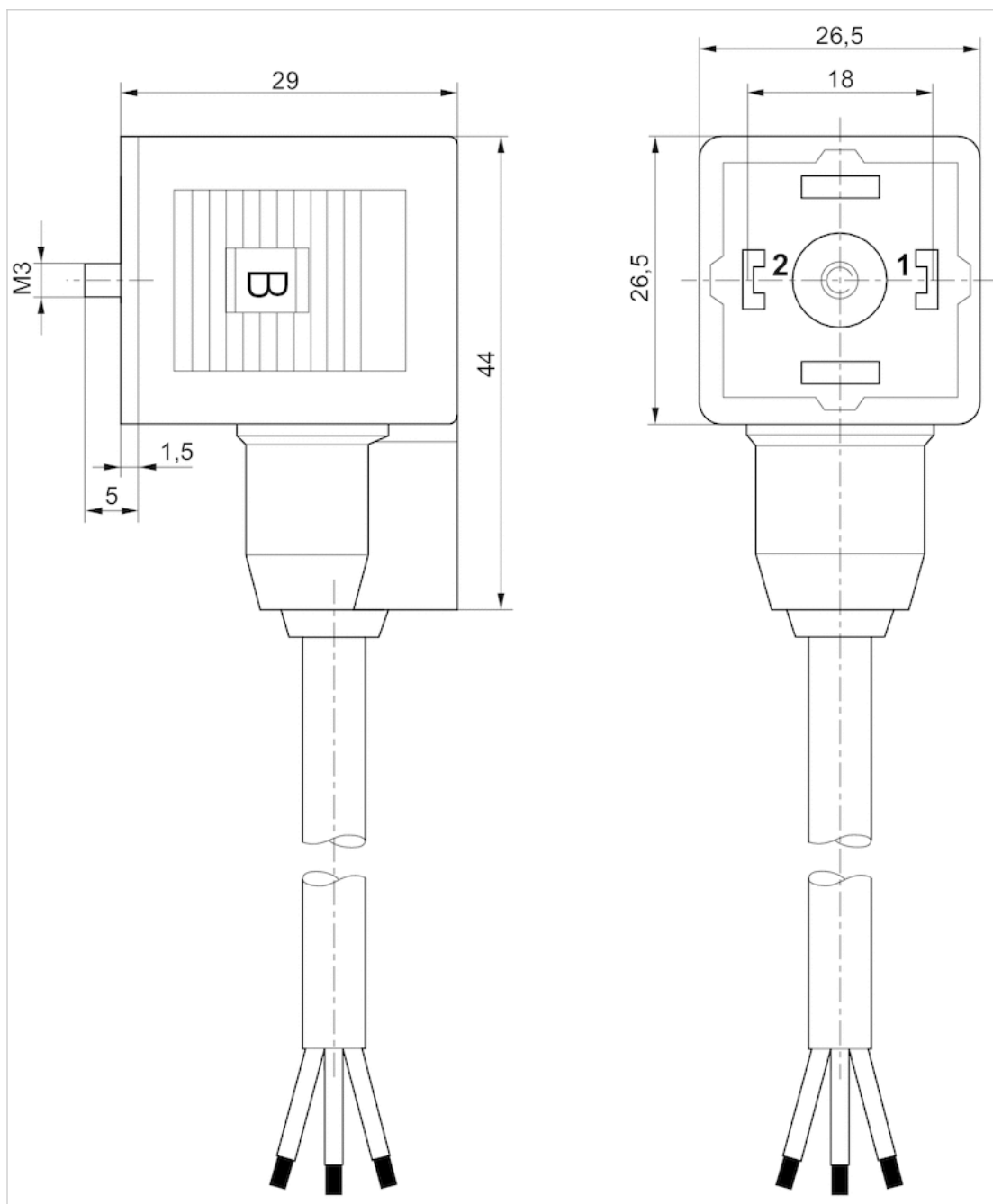
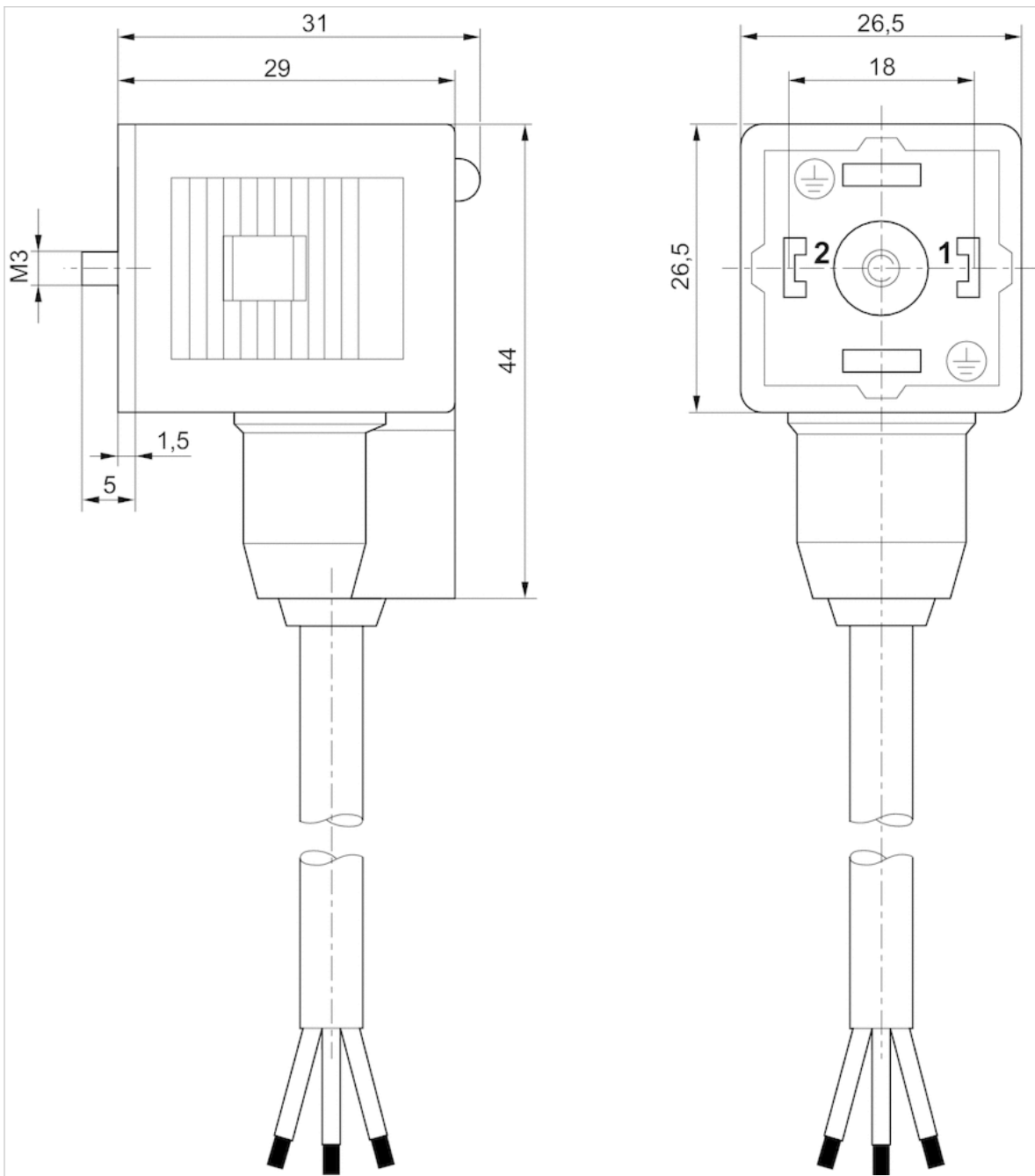




Fig. 2

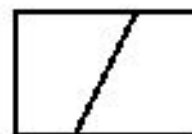


# Coil, Series CO1

## R432011985

Coils, Series CO1

- Coil widths 15, 22 and 30 mm
- Electr. control: M8, form A, form B, form BI, form C
- ATEX optional



### Technical data

Industry  
Industrial

Coil width  
30 mm

Max. ambient temperature  
50 °C

Connector standard  
EN 175301-803, form A

Protection class  
IP65

Duty cycle ED  
100 %

Compatibility index  
14

Electrical connection 2  
Plug

Number of poles  
3-pin

Operational voltage AC at 50 Hz  
110 V

Operational voltage AC at 60 Hz  
110 V

Voltage tolerance DC  
-10% / +10%

Holding power AC 50 Hz  
3.7 VA

Holding power AC 60 Hz  
3.7 VA

Weight  
0.096 kg

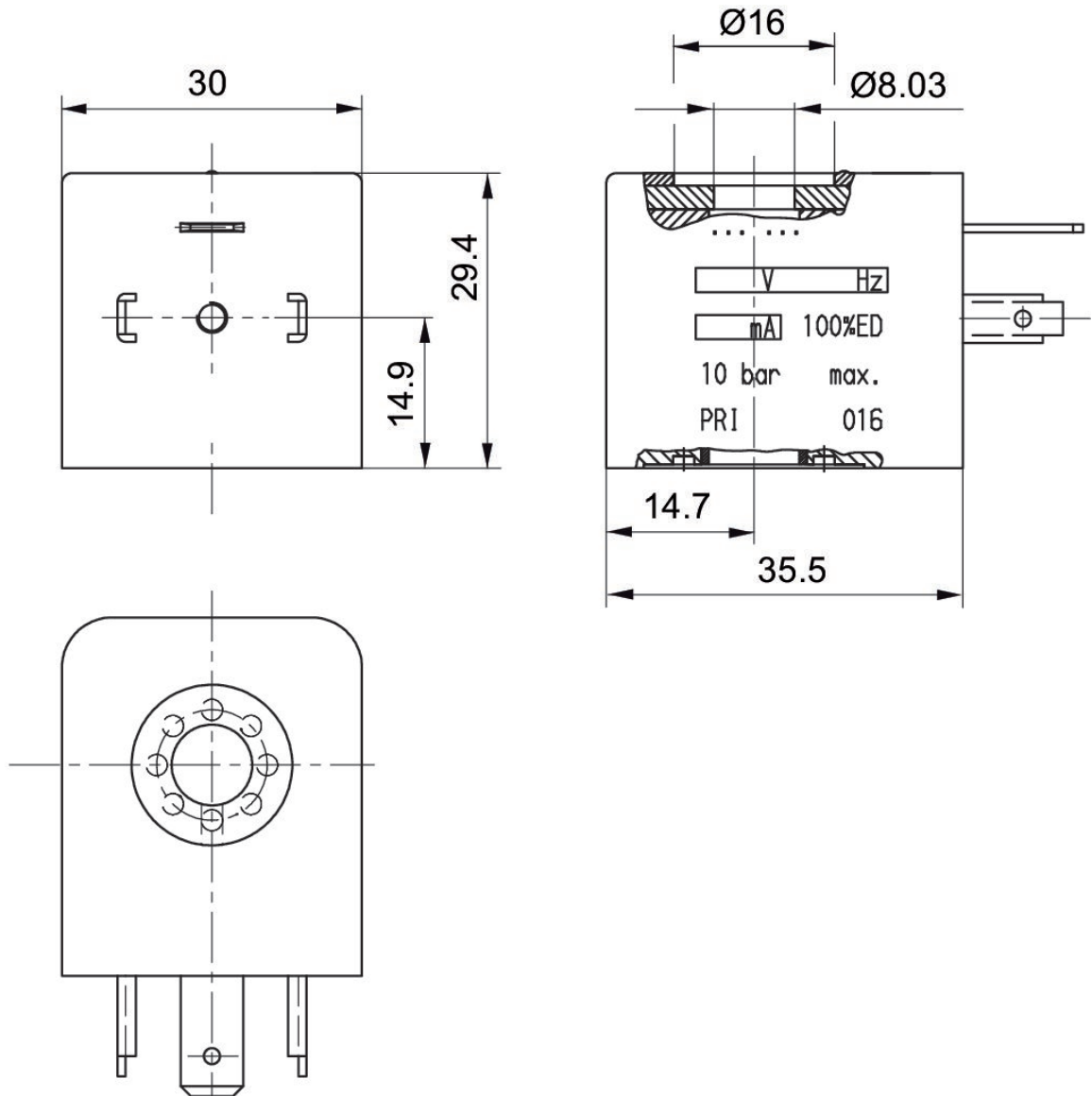
### Material

Housing  
Thermoplastic elastomer

Part No.  
R432011985

## Technical information

## Dimensions

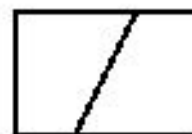


# Coil, Series CO1

## R432011986

### Coils, Series CO1

- Coil widths 15, 22 and 30 mm
- Electr. control: M8, form A, form B, form BI, form C
- ATEX



### Technical data

Industry  
Industrial

Coil width  
30 mm

Max. ambient temperature  
50 °C

Connector standard  
EN 175301-803, form A

Protection class  
IP65

Duty cycle ED  
100 %

Compatibility index  
14

Electrical connection 2  
Plug

Number of poles  
3-pin

Operational voltage AC at 50 Hz  
220 V

Operational voltage AC at 60 Hz  
220 V

Voltage tolerance DC  
-10% / +10%

Holding power AC 50 Hz  
3.7 VA

Holding power AC 60 Hz  
3.7 VA

Weight  
0.096 kg

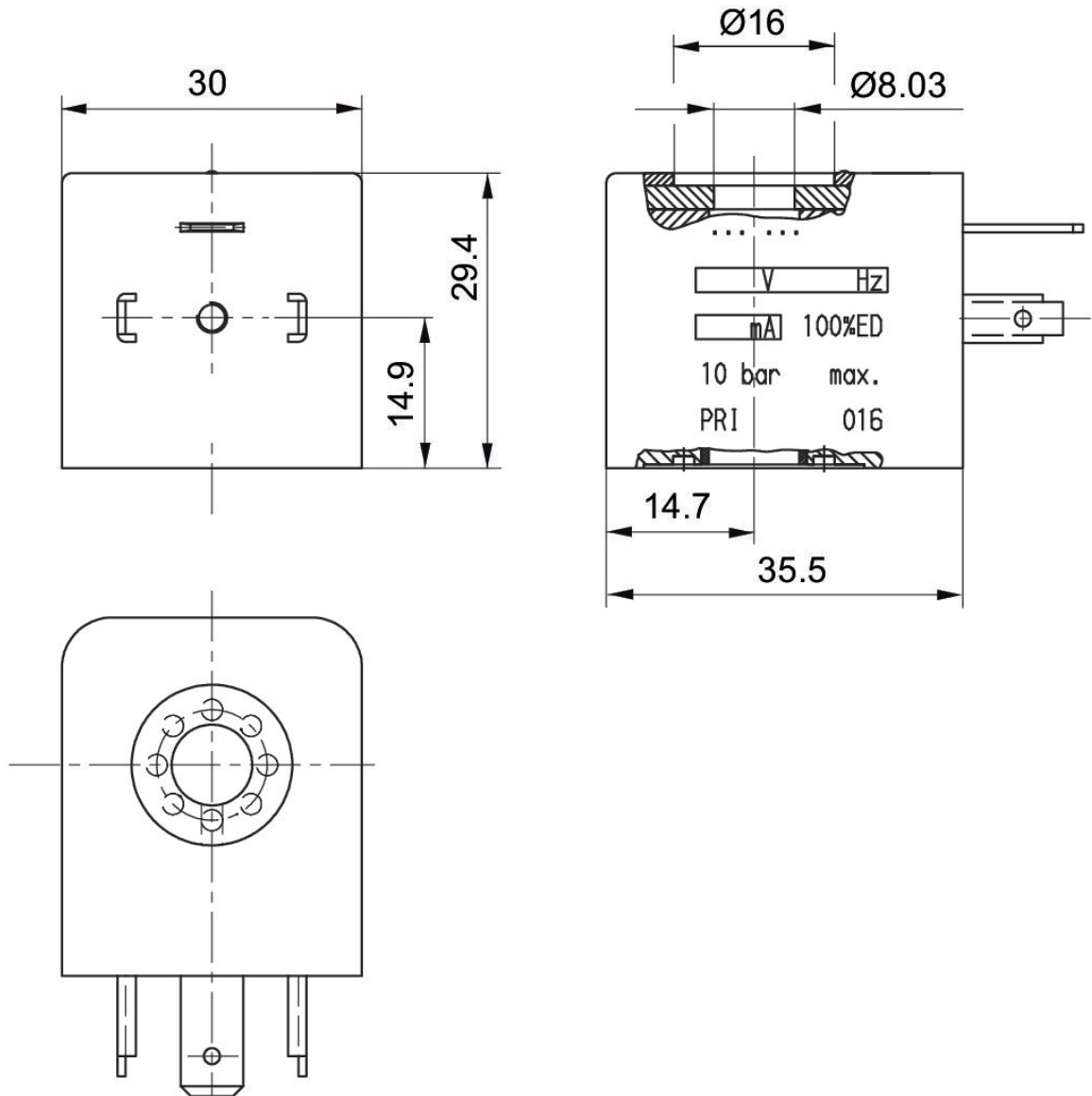
### Material

Housing  
Thermoplastic elastomer

Part No.  
R432011986

## Technical information

## Dimensions



# Coil, Series CO1

R432011989

Coils, Series CO1

- Coil widths 15, 22 and 30 mm
- Electr. control: M8, form A, form B, form BI, form C
- ATEX optional



## Technical data

Industry  
Industrial

Coil width  
30 mm

Max. ambient temperature  
50 °C

Connector standard  
EN 175301-803, form A

Protection class  
IP65

Duty cycle ED  
100 %

Compatibility index  
14

Electrical connection 2  
Plug

Number of poles  
3-pin

DC operating voltage  
24 V

Voltage tolerance DC  
-10% / +10%

Power consumption DC  
2.7 W

Weight  
0.096 kg

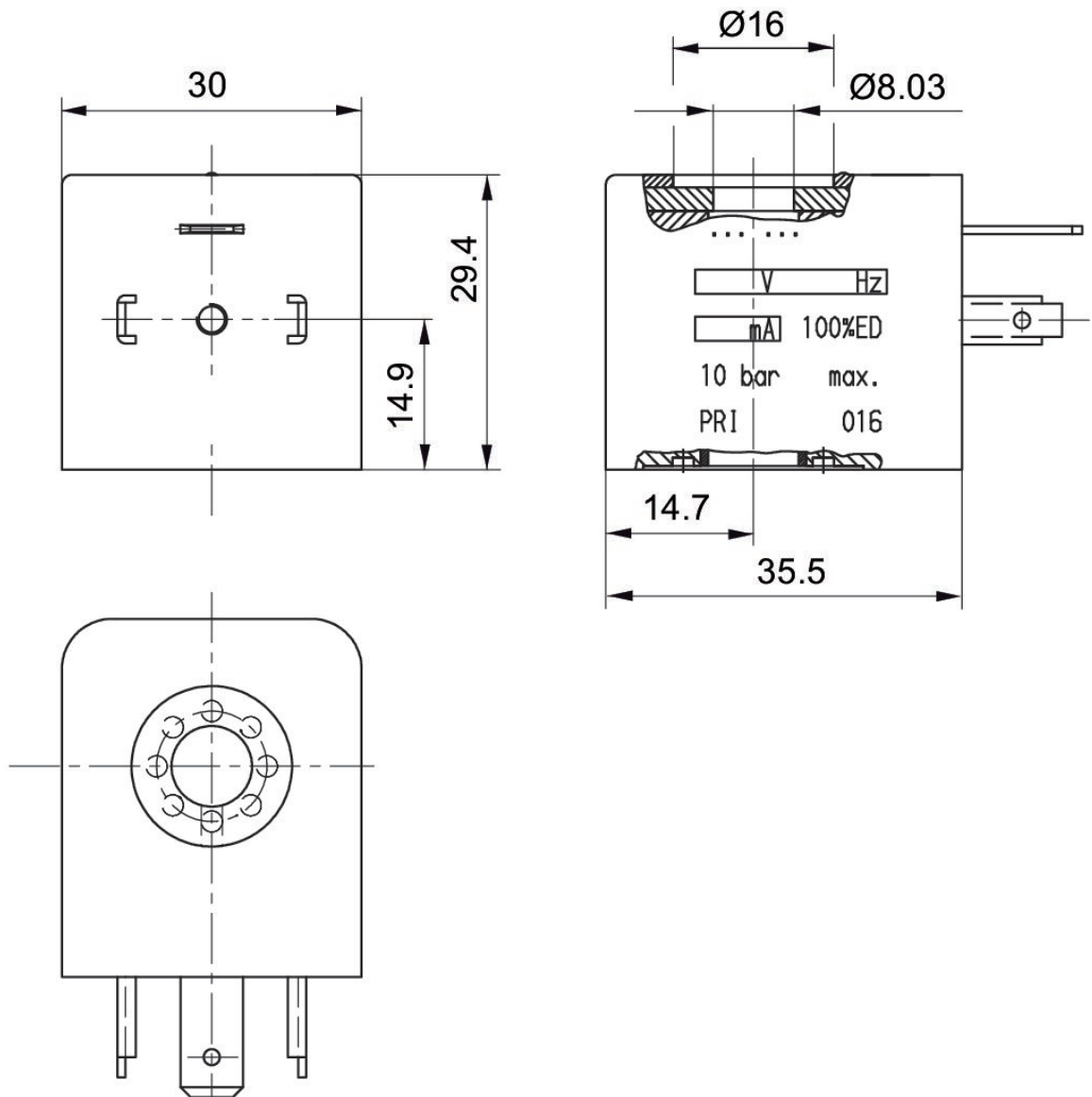
## Material

Housing  
Thermoplastic elastomer

Part No.  
R432011989

## Technical information

### Dimensions

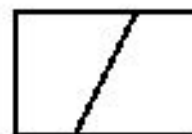


# Coil, Series CO1

## R432011990

Coils, Series CO1

- Coil widths 15, 22 and 30 mm
- Electr. control: M8, form A, form B, form BI, form C
- ATEX optional



### Technical data

Industry  
Industrial

Coil width  
30 mm

Max. ambient temperature  
50 °C

Connector standard  
EN 175301-803, form A

Protection class  
IP65

Duty cycle ED  
100 %

Compatibility index  
14

Electrical connection 2  
Plug

Number of poles  
3-pin

Operational voltage AC at 50 Hz  
24 V

Operational voltage AC at 60 Hz  
24 V

Voltage tolerance DC  
-10% / +10%

Holding power AC 50 Hz  
3.7 VA

Holding power AC 60 Hz  
3.7 VA

Weight  
0.096 kg

### Material

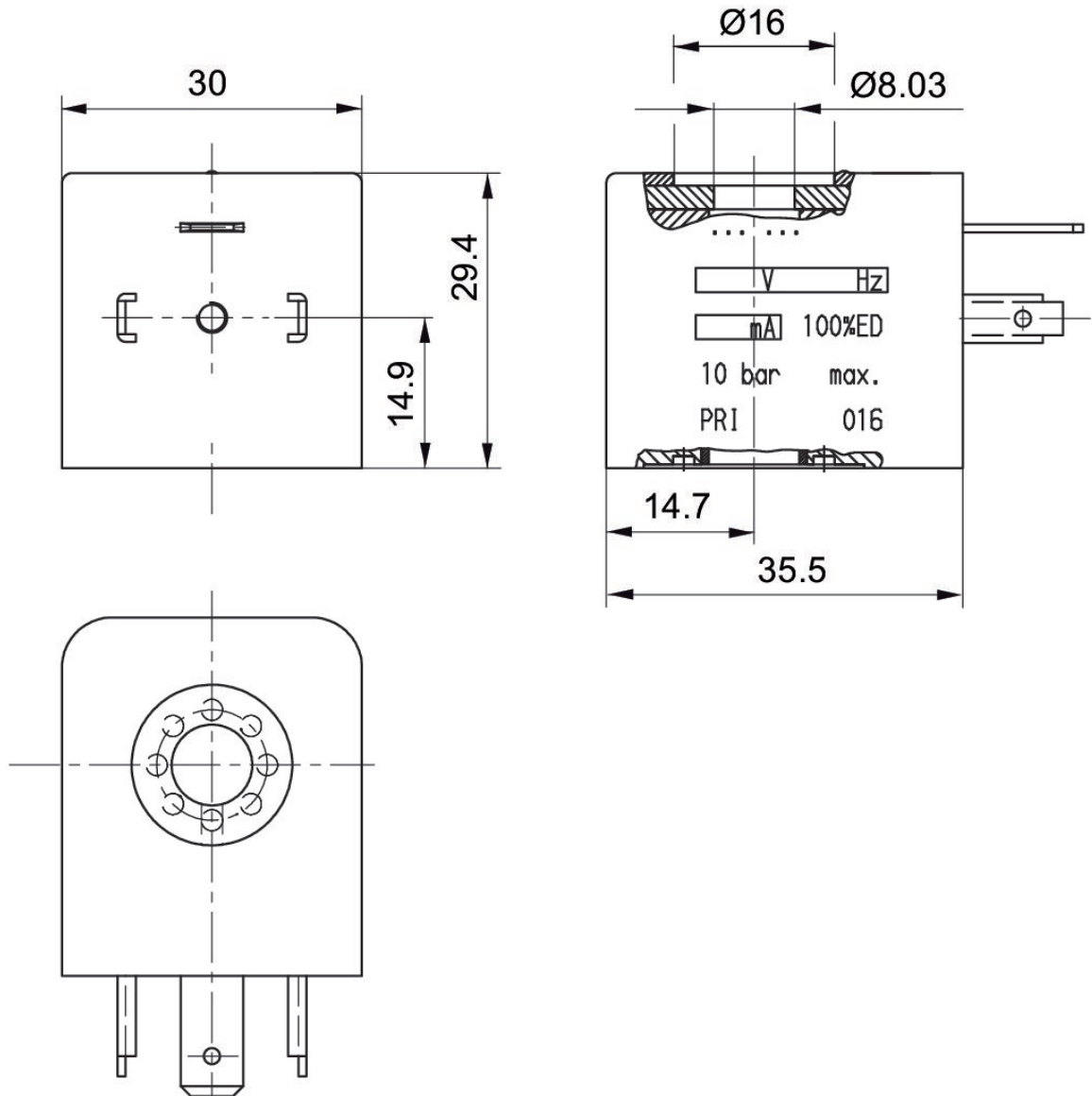


Housing  
Thermoplastic elastomer

Part No.  
R432011990

## Technical information

## Dimensions



# Efficient pneumatic solutions, our program: cylinders and drives, valves and valve systems, air supply management



Visit us: [Emerson.com/Aventics](https://www.emerson.com/Aventics)

Your local contact: [Emerson.com/contactus](https://www.emerson.com/contactus)



Emerson.com



[Facebook.com/EmersonAutomationSolutions](https://www.facebook.com/EmersonAutomationSolutions)



[LinkedIn.com/company/Emerson-Automation-Solutions](https://www.linkedin.com/company/Emerson-Automation-Solutions)



[Twitter.com/EMR\\_Automation](https://twitter.com/EMR_Automation)

An example configuration is depicted on the title page. The delivered product may thus vary from that in the illustration. Subject to change. This Document, as well as the data, specifications and other information set forth in it, are the exclusive property of AVENTICS GmbH. It may not be reproduced or given to third parties without its consent. Only use the AVENTICS products shown in industrial applications. Read the product documentation completely and carefully before using the product. Observe the applicable regulations and laws of the respective country. When integrating the product into applications, note the system manufacturer's specifications for safe use of the product. The data specified only serve to describe the product. No statements concerning a certain condition or suitability for a certain application can be derived from our information. The information given does not release the user from the obligation of own judgment and verification. It must be remembered that the products are subject to a natural process of wear and aging.

The Emerson logo is a trademark and service mark of Emerson Electric Co. Brand logotype are registered trademarks of one of the Emerson family of companies. All other marks are the property of their respective owners. © 2017 Emerson Electric Co. All rights reserved.  
2019-03



## CONSIDER IT SOLVED™